

# The new Indesit cooking



Collection 2010

 **Indesit**  
We work, you play.

The Indesit brand is evolving. With continuous focus on product design, functionality, intelligence and style, Indesit appliances are growing up.

For this reason Indesit is one of the major brands across Europe. These products ease the pressures of modern life and take the hassle out of everyday chores.

Efficient, reliable, easy to use, and environmentally friendly these domestic appliances are full of innovative solutions that make your life easier.

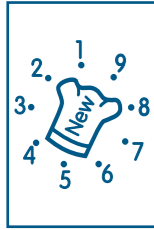
Designing simple and smart appliances to create more time for life so you can enjoy the things you really love: this is Indesit's philosophy and something we will continue working towards, always.



---

#### Index

- 4 Cookers  
Freestanding
  - 34 Ovens and Microwave  
Built-in
  - 46 Hobs  
Built-in
  - 60 Hoods  
Built-in
-



### Multichef 9

The Indesit 90 cm multifunction professional cookers offer 9 extremely versatile programs. You have simply to choose between the programs of the Multichef 9 oven - Barbecue, Brioche, Tarts, Turnspit, Rising, Multicooking, Rotisserie, Defrosting, Traditional – and you'll get each type of food cooked at the best.



### Multichef 7

This Multifunction electric cooker has seven extraordinarily versatile cooking programs that ensure perfect results. All the programs — Static, Pizza, Grill, Pastry, Multilevel Cooking, Ventilated Grill and the latest Quick Cook program — have been designed to achieve the most suitable cooking system for each type of food.



#### Quick cook

This mode is especially recommended for cooking pre-packed food quickly (pre-heating is not necessary), such as for example: frozen or pre-cooked food as well as for a few "home-made" dishes. The heating elements and the fan come on, guaranteeing constant heat distributed uniformly throughout the oven.



#### Multilevel Cooking

A specialized performance for multiple and homogeneous cooking: it allows cooking contemporarily on up to 3 levels of different dishes: starters, mains, vegetables or dessert all in one single bake, without mixing tastes and smells. All this thanks to the constantly moving of the airflow that allows the heat to be equally distributed.



#### Pastry

For all cakes and preparations that require delicate cooking. The heat comes from below, ensuring that doughs and mixes rise effectively and evenly.



#### Static Oven

Ideal for traditional cooking: the heat delicately envelops the dish for even cooking.



#### Pizza oven

This is the perfect program for crisp, fragrant pizzas as it distributes the high heat quite evenly.



#### Ventilated Grill

Combines the speed of the grill with the uniform heat distribution of the ventilated oven.



#### Grill

This is perfect for making toast and for grilling meats and fish quickly, saving time and energy.



### Multichef 5

This Multifunction electric cooker has five programs — Static, Grill, Ventilated Oven, Double Grill and Ventilated Grill — designed to cook each type of food in exactly the right way. Moreover, the new Easy Defrost function lets you defrost any type of food in half the time normally required.



#### Easy Defrost

Thanks to this function the time to defrost the food is reduced (- 50% vs the fridge defrosting) and is suggested for all the fresh food that has been frozen (fruits and vegetables) and for the food that has been cooked (pizza and meat defrost in half of the normal time). (Only in the Electric Multichef 5 Oven).



#### Ventilated oven

This lets you cook several foods at the same time, particularly roasts and au gratin baked pasta or rice dishes.



#### Double Grill

Excellent for grilling quantities of meat or for browning foods quickly.



**A**

Indesit kitchens with A energy Class provide excellent performances with low energy consumption. A Class is the highest European award that marks performance effectiveness vis-à-vis reduced consumption.



### Multi zone

The new Multi zone grid permits with the special accessory pyrex pot to defrost or keep warm your food while you are cooking without using a burner.



### Double and Triple crown Burners

The double & triple ring burners have been created from a new concept, to allow the distribution of the heat over a bigger surface, ensuring a faster and homogeneous cooking. Both ideal for cooking with the wok.



### Ultra Rapid Burner

This burner has greater power and produces an even more intense heat, thus saving up to 10% on cooking time.



### Electronic Ignition

This practical system makes igniting the burners easier. In some models, with one hand ignition, you can turn on the burner with one simple gesture.



### Safe Flame

È uno speciale dispositivo che blocca la fuoriuscita di gas in caso di spegnimento accidentale della fiamma.



Model	Colour	Code
KP9F96S(X)/EX	stainless steel	58372

**Dimensions:** H 85 W 90 D 60 cm

- Hob with 5 gas burners
  - 1 of which triple ring
- 2 hands Electronic Ignition
- 3 cast iron pan supports
- Multifunction oven with 9 programmes
- Fan oven
- Electric grill
- Thermostat
- Oven light
- Electronic Start/End Cooking
- Double glass oven door
- Hob flame failure device
- Energy class: C

Also available:

**58374 - KP9F96S(X)/AUS**



Model	Colour	Code
KP9F21S(X)/EX	stainless steel	58373

**Dimensions:** H 85 W 90 D 60 cm

- Hob with 5 gas burners
  - 1 of which triple ring
- 2 hands Electronic Ignition
- Gas oven & Gas grill
- Thermostat
- Oven light
- Minute minder
- Double glass oven door
- Oven & grill flame failure device
- Hob flame failure device



Model	Colour	Code
KM L21S(X)/EX	stainless steel	28614

**Dimensions:** H 85 W 90 D 60 cm

- Hob with 5 gas burners  
1 of which triple ring
- 2 hands Electronic Ignition
- Gas oven & Gas grill
- Thermostat
- Oven light
- Minute minder
- Double glass oven door
- Oven & grill flame failure device
- Hob flame failure device



Model	Colour	Code
KM L21S(W)/EX	white	28613

**Dimensions:** H 85 W 90 D 60 cm

- Hob with 5 gas burners  
1 of which triple ring
- 2 hands Electronic Ignition
- Gas oven & Gas grill
- Thermostat
- Oven light
- Minute minder
- Double glass oven door
- Oven & grill flame failure device
- Hob flame failure device



Model	Colour	Code
KM B21S(X)/EX	stainless steel	28612

**Dimensions:** H 85 W 90 D 60 cm

- Hob with 4 gas burners  
and 2 electric plates
- 2 hands Electronic Ignition
- Gas oven & Gas grill
- Thermostat
- Oven light
- Minute minder
- Double glass oven door
- Oven & grill flame failure device
- Hob flame failure device

Also available:  
in white 31404 - KM B21S(W)/EX



Model	Colour	Code
K9F71S(X)/I	stainless steel	52585

**Dimensions:** H 85 W 90 D 60 cm

- Hob with 5 gas burners  
1 of which triple ring
- 2 hands Electronic Ignition
- Multifunction oven with 7 programmes
- Fan oven
- Electric grill
- Thermostat
- Oven light
- Minute minder
- Triple glass oven door
- Hob flame failure device
- Energy class: C



Model	Colour	Code
K9B11S(X)/I	stainless steel	52584

**Dimensions:** H 85 W 90 D 60 cm

- Hob with 4 gas burners  
and 2 electric plates
- 2 hands Electronic Ignition
- Static oven
- Electric grill
- Thermostat
- Oven light
- Minute minder
- Double glass oven door
- Hob flame failure device
- Energy class: D

Also available:  
without 2 hands electronic ignition  
in dark brown 52582 - K9B11S(B)/I  
in white 52583 - K9B11S(W)/I



Model	Colour	Code
K9A21S(W)/I	white	52581

**Dimensions:** H 85 W 90 D 60 cm

- Hob with 4 gas burners  
and 1 electric plate
- Gas oven
- Electric grill
- Thermostat
- Oven light
- Minute minder
- Double glass oven door
- Oven flame failure device
- Hob flame failure device



Model	Colour	Code
K9P210(W)/EX	white	52591

**Dimensions:** H 85 W 90 D 60 cm

- Hob with 6 gas burners
- Gas oven & Gas grill
- Thermostat
- Oven light
- Minute minder



Model	Colour	Code
K9G2S(W)/I	white	52589

**Dimensions:** H 85 W 90 D 60 cm

- Hob with 4 gas burners
- Gas oven without grill
- Double glass oven door
- Oven flame failure device
- Hob flame failure device



Model	Colour	Code
KD6C35X	stainless steel	53273

**Dimensions:** H 90 W 60 D 60 cm

- Hob with 4 radiant areas
- Fan main oven
- Static secondary oven + electric grill
- Thermostat
- Oven light
- Electronic 3 buttons minute minder
- Double glass main oven door
- Energy class: B



Model	Colour	Code
KD6C35W	white	53270

**Dimensions:** H 90 W 60 D 60 cm

- Hob with 4 radiant areas
- Fan main oven
- Static secondary oven + electric grill
- Thermostat
- Oven light
- Electronic 3 buttons minute minder
- Double glass main oven door
- Energy class: B



Model	Colour	Code
KD6C35K	black	68887

**Dimensions:** H 90 W 60 D 60 cm

- Hob with 4 radiant areas
- Fan main oven
- Static secondary oven + electric grill
- Thermostat
- Oven light
- Electronic 3 buttons minute minder
- Double glass main oven door
- Energy class: B



Model	Colour	Code
<b>K6C56(X)/GR</b>	stainless steel	42382

**Dimensions:** H 85 W 60 D 60 cm

- Hob with 4 radiant areas
- Multifunction oven with 5 programmes
- Electric grill
- Thermostat
- Oven light
- Electronic Start/End Cooking
- Double glass oven door
- Energy class: B



Model	Colour	Code
<b>K6T72S(W)/I</b>	white	42578

**Dimensions:** H 85 W 60 D 60 cm

- Hob with 4 gas burners
- 1 of which triple ring
- 1 hand Electronic Ignition
- Multifunction oven with 7 programmes
- Electric grill
- Thermostat
- Oven light
- End Cooking timer
- Double glass oven door
- Hob flame failure device
- **Energy class: A**

Also available:  
in stainless steel **33152 - K6T72S(X)/I**



Model	Colour	Code
<b>K6C51(W)/R</b>	white	30863

**Dimensions:** H 85 W 60 D 60 cm

- Hob with 4 radiant areas
- Multifunction oven with 5 programmes
- Electric grill
- Thermostat
- Oven light
- Minute minder
- Double glass oven door
- Energy class: B

Also available:  
with static oven **30875 - K6C11(W)/R**



Model	Colour	Code
<b>K6T21S(X)/EX</b>	stainless steel	33672

**Dimensions:** H 85 W 60 D 60 cm

- Hob with 4 gas burners
- 1 of which triple ring
- 2 hands Electronic Ignition
- Gas oven & Gas grill
- Thermostat
- Oven light
- Minute minder
- Double glass oven door
- Oven & grill flame failure device
- Hob flame failure device



Model	Colour	Code
<b>K6C320(X)/G</b>	stainless steel	35977

**Dimensions:** H 90 W 60 D 60 cm

- Hob with 4 radiant areas
- Fan oven
- Electric grill
- Thermostat
- Oven light
- End Cooking timer
- Double glass oven door
- **Energy class: A**

Also available:  
**62258 - K6C320(X)/AUS**  
in white **35976 - K6C320(W)/G**



Model	Colour	Code
K6G520S(X)/G	stainless steel	64076

**Dimensions:** H 90 W 60 D 60 cm

- Hob with 4 gas burners
- 2 hands Electronic Ignition
- Multifunction oven with 5 programmes
- Electric grill
- Thermostat
- Oven light
- End Cooking timer
- Double glass oven door
- Hob flame failure device
- Energy class: B



Model	Colour	Code
K6M56S(W)/FR	white	67448

**Dimensions:** H 85 W 60 D 60 cm

- Hob with 3 gas burners and 1 electric plate
- 2 hands Electronic Ignition
- Multifunction oven with 5 programmes
- Electric grill
- Thermostat
- Oven light
- Electronic Start/End Cooking
- Double glass oven door
- Catalytic cleaning system
- Hob flame failure device
- Energy class: B

Also available:  
in stainless steel without Electronic Start/End Cooking  
**67450 - K6M5S(X)/F**  
in white with static oven and without Electronic Start/End Cooking  
**67446 - K6M1S(W)/F**



Model	Colour	Code
K6G21S(X)/R	stainless steel	30898

**Dimensions:** H 85 W 60 D 60 cm

- Hob with 4 gas burners
- 2 hands Electronic Ignition
- Gas oven & Gas grill
- Thermostat
- Oven light
- Minute minder
- Double glass oven door
- Oven & grill flame failure device
- Hob flame failure device



Model	Colour	Code
K6E52(W)/EX	white	33674

**Dimensions:** H 85 W 60 D 60 cm

- Hob with 4 electric plates
- Multifunction oven with 5 programmes
- Electric grill
- Thermostat
- Oven light
- End Cooking timer
- Double glass oven door
- Energy class: B

Also available:  
in white with minute minder and catalytic cleaning system  
**41034 - K6E51(W)/FR**



Model	Colour	Code
K6G21S(W)/I	white	30889

**Dimensions:** H 85 W 60 D 60 cm

- Hob with 4 gas burners
- 2 hands Electronic Ignition
- Gas oven
- Electric grill
- Thermostat
- Oven light
- Minute minder
- Double glass oven door
- Oven flame failure device
- Hob flame failure device

Also available:  
in stainless steel **33155 - K6G21S(X)/I**  
in white with gas grill and flame failure device **64074 - K6G210S(W)/G**  
in stainless steel, with gas grill and flame failure device **64075 - K6G210S(X)/G**



Model	Colour	Code
K6E32(X)/G	stainless steel	33172

**Dimensions:** H 90 W 60 D 60 cm

- Hob with 4 electric plates
- Fan Oven
- Electric grill
- Thermostat
- Oven light
- End Cooking timer
- Double glass oven door
- **Energy class: A**

Also available:  
in white **33171 - K6E32(W)/G**  
in white with static oven, minute minder, Energy class B  
**30874 - K6E11(W)/R**



Model	Colour	Code
<b>KD3C11(X)/G</b>	stainless steel	34925

**Dimensions:** H 90 W 50 D 60 cm

- Hob with 4 radiant areas
- Static main oven
- Electric grill in the second cavity
- Thermostat
- Oven light
- Minute minder
- Double glass main oven door
- Energy class: B

Also available:  
in white without minute minder  
**34924 - KD3C1(W)/G**

Model	Colour	Code
<b>KD3E1(W)/G</b>	white	34926

**Dimensions:** H 90 W 50 D 60 cm

- Hob with 4 electric plates
- Static main oven
- Electric grill in the second cavity
- Thermostat
- Oven light
- Double glass main oven door
- Energy class: B



Model	Colour	Code
<b>K3C55(X)R</b>	stainless steel	35282

**Dimensions:** H 85 W 50 D 60 cm

- Hob with 4 radiant areas
- Multifunction oven with 5 programmes
- Electric grill
- Thermostat
- Oven light
- Electronic 3 Buttons Minute Minder
- Double glass oven door
- Energy class: B

**A** Also available:  
in stainless steel with static oven, minute minder, Energy class A  
**62262 - K3C11(X)/AUS**  
in white with static oven, minute minder, Energy class A  
**62261 - K3C11(W)/AUS**



Model	Colour	Code
<b>K3G210S(X)/FR</b>	stainless steel	67427

**Dimensions:** H 85 W 50 D 60 cm

- Hob with 4 gas burners
- 2 hands Electronic Ignition
- Gas oven
- Electric grill
- Thermostat
- Oven light
- Minute minder
- Double glass oven door
- Catalytic cleaning system
- Oven flame failure device
- Hob flame failure device

Also available:  
in white **67426 - K3G210S(W)/FR**  
in white without hob ignition, grill, minute minder, oven light  
**67235 - K3G20S(W)/U**



Model	Colour	Code
<b>K3G2S(W)/G</b>	white	64073

**Dimensions:** H 90 W 50 D 60 cm

- Hob with 4 gas burners
- 2 hands Electronic Ignition
- Gas oven & Gas grill
- Thermostat
- Double glass oven door
- Oven & grill flame failure device
- Hob flame failure device

Also available:  
in white without grill **67429 - K3G2S(W)/FR**  
in white without hob ignition **38962 - K3G2S(W)/EX**



A



Model	Colour	Code
K3G12S(X)/U	stainless steel	67222

**Dimensions:** H 85 W 50 D 60 cm

- Hob with 4 gas burners
- 1 hand Electronic Ignition
- Static oven
- Electric grill
- Thermostat
- Oven light
- End Cooking timer
- Double glass oven door
- Hob flame failure device
- **Energy class: A**



Model	Colour	Code
K3M11S(W)/EX	white	38964

**Dimensions:** H 85 W 50 D 60 cm

- Hob with 3 gas burners and 1 electric plate
- Static oven
- Electric grill
- Thermostat
- Oven light
- Minute minder
- Double glass oven door
- Hob flame failure device
- Energy class: C

Also available:  
without minute minder, with 2 hands Electronic Ignition, Catalytic cleaning system in stainless steel **67432 - K3M1S(X)/FR**  
without minute minder, with 2 hands Electronic Ignition, Catalytic cleaning system in white **67431 - K3M1S(W)/FR**



Model	Colour	Code
K3M51S(X)/FR	stainless steel	67434

**Dimensions:** H 85 W 50 D 60 cm

- Hob with 3 gas burners and 1 electric plate
- 2 hands Electronic Ignition
- Multifunction oven with 5 programmes
- Electric grill
- Thermostat
- Oven light
- Minute minder
- Double glass oven door
- Catalytic cleaning system
- Hob flame failure device
- Energy class: C

Also available:  
in white **67433 - K3M51S(W)/FR**



Model	Colour	Code
K3N11S(W)/R	white	35290

**Dimensions:** H 85 W 50 D 60 cm

- Hob with 2 gas burners and 2 electric plates
- 2 hands Electronic Ignition
- Static oven
- Electric grill
- Thermostat
- Oven light
- Minute minder
- Double glass oven door
- Hob flame failure device
- Energy class: C





Model	Colour	Code
K3E11(W)/I	white	34134

**Dimensions:** H 85 W 50 D 60 cm

- Hob with 4 electric plates
- Static oven
- Electric grill
- Thermostat
- Oven light
- Minute minder
- Double glass oven door
- Energy class: B

**A**

Also available:  
 in stainless steel without lid **35944 - K3E11(X)/G**  
 in white and Energy class A **35283 - K3E11(W)/R**  
 in white without minute minder and lid **35943 - K3E1(W)/G**

Model	Colour	Code
KJ3G20S(W)/U	white	67229

**Dimensions:** H 85 W 50 D 60 cm

- Hob with 4 gas burners
- 2 hands Electronic Ignition
- Gas oven without grill
- Thermostat
- Double glass oven door
- Oven flame failure device
- Hob flame failure device



Model	Colour	Code
K1G21S(X)/R	stainless steel	35298

**Dimensions:** H 85 W 50 D 50 cm

- Hob with 4 gas burners
- 2 hands Electronic Ignition
- Gas oven & Gas grill
- Thermostat
- Oven light
- Minute minder
- Double glass oven door
- Oven & grill flame failure device
- Hob flame failure device

Also available:  
 in white **35297 - K1G21S(W)/R**  
 in stainless steel without hob ignition, with electric grill  
**34138 - K1G21S(X)/I**

Model	Colour	Code
K1G2S(W)/I	white	34137

**Dimensions:** H 85 W 50 D 50 cm

- Hob with 4 gas burners
- Gas oven
- Electric grill
- Thermostat
- Oven light
- Double glass oven door
- Oven flame failure device
- Hob flame failure device

Also available:  
 in white without grill and oven light  
**58217 - K1G20S(W)/I**



Model	Colour	Code
K1E1(W)/R	white	35291

**Dimensions:** H 85 W 50 D 50 cm

- Hob with 4 electric plates
- Static oven
- Electric grill
- Thermostat
- Oven light
- Double glass oven door
- Energy class: C



# Cooking freestanding | Specifications

	90 x 60 cm Pro			90 x 60 cm Maxi-Oven			90 x 60 cm Bottle								
Description	KP9F96S(X)/EX	KP9F96S(X)/AUS	KP9F21S(X)/EX	KM L21S(X)/EX	KM L21S(W)/EX	KM B21S(X)/EX	KM B21S(W)/EX	K9F71S(X)/I	K9B11S(X)/I	K9B11S(B)/I	K9B11S(W)/I	K9A21S(W)/I	K9P210(W)/EX	K9G2S(W)/I	
<b>Code</b>	58372	58374	58373	28614	28613	28612	31404	52585	52584	52582	52583	52581	52591	52589	
<b>Aesthetic</b>															
Cooker colour	Stainless Steel	Stainless Steel	Stainless Steel	Stainless Steel	White	Stainless Steel	White	Stainless Steel	Stainless Steel	Dark Brown	White	White	White	White	
No. of hob pan supports	3	3	3	3	3	2	2	3	2	2	2	2	3	2	
Pan support type	Cast Iron	Cast Iron	Enamelled Flat Wire	Enamelled Flat Wire	Enamelled Flat Wire	Enamelled Flat Wire	Enamelled Flat Wire	Enamelled Flat Wire	Enamelled Flat Wire	Enamelled Flat Wire	Enamelled Flat Wire	Enamelled Flat Wire	Enamelled Flat Wire	Enamelled Flat Wire	
Type of Lid	Low splash back	Low splash back	Low splash back	Glass	Glass	Glass	Glass	Glass	Glass	Enamelled Sheetmetal	Enamelled Sheetmetal	Enamelled Sheetmetal	Enamelled Sheetmetal	Enamelled Sheetmetal	
Knob colour	Black & Stainless Steel	Black & Stainless Steel	Stainless Steel	Black	White	Black	White	Black	Black	Dark Brown	White	White	White	White	
Handle colour	Black & Stainless Steel	Black & Stainless Steel	Black & Stainless Steel	Black	White	Black	White	Black	Black	Dark Brown	White	White	White	White	
Oven door glass colour	Mirror	Mirror	Mirror	Mirror	White	Mirror	White	Mirror	Mirror	Dark Brown	White	White	White	White	
Pirinth								Black	Black	Black	Black	Black		Black	
Legs	• Stainless Steel	• Stainless Steel	• Stainless Steel	•	•	•	•	•	•	•	•	•	•	•	
Dish warmer				Flap	Flap	Flap	Flap	Drawer	Drawer	Drawer	Drawer	Drawer	Drawer	Drawer	
Burner Cap	Enamelled Raf	Enamelled Raf	Enamelled Sheetmetal	Enamelled Sheetmetal	Enamelled Sheetmetal	Enamelled Sheetmetal	Enamelled Sheetmetal	Enamelled Sheetmetal	Enamelled Sheetmetal	Enamelled Sheetmetal	Enamelled Sheetmetal	Enamelled Sheetmetal	Enamelled Sheetmetal	Enamelled Sheetmetal	
<b>Hob</b>															
No. Of Total Cooking areas	5	5	5	5	5	6	6	5	6	6	6	5	6	4	
No. Gas Burners	5	5	5	5	5	4	4	5	4	4	4	4	6	4	
No. electric plates						2	2			2	2	1			
No. Of Radiant areas															
Rear Left Area: Type / Power (W) / Dimensions	Semi-Fast / 1650 / 75mm	Semi-Fast / 1650 / 75mm	Semi-Fast / 1650 / 75mm	Fast / 2900 / 100mm	Fast / 2900 / 100mm	Fast / 2900 / 100mm	Fast / 2900 / 100mm	Semi-Fast / 1900 / 75mm	Semi-Fast / 1900 / 75mm	Semi-Fast / 1900 / 75mm	Semi-Fast / 1900 / 75mm	Semi-Fast / 1900 / 75mm	Semi-Fast / 1900 / 75mm	Semi-Fast / 1900 / 75mm	
Rear Middle Area: Type / Power (W) / Dimensions						Standard Electric Plate / 1500 / 180mm	Standard Electric Plate / 1500 / 180mm			Standard Electric Plate / 1500 / 180mm	Standard Electric Plate / 1500 / 180mm	Standard Electric Plate / 1500 / 180mm	Fast / 2900 / 100mm		
Rear Right Area: Type / Power (W) / Dimensions	Semi-Fast / 1650 / 75mm	Semi-Fast / 1650 / 75mm	Semi-Fast / 1650 / 75mm	Auxiliary / 1000 / 55mm	Auxiliary / 1000 / 55mm	Auxiliary / 1000 / 55mm	Auxiliary / 1000 / 55mm	Semi-Fast / 1900 / 75mm	Semi-Fast / 1900 / 75mm	Semi-Fast / 1900 / 75mm	Semi-Fast / 1900 / 75mm	Semi-Fast / 1900 / 75mm	Semi-Fast / 1900 / 75mm	Semi-Fast / 1900 / 75mm	
Middle Middle Area: Type / Power (W) / Dimensions	Triple Ring / 3250 / 130mm	Triple Ring / 3250 / 130mm	Triple Ring / 3250 / 130mm	Triple Ring / 3500 / 130mm	Triple Ring / 3500 / 130mm			Triple Ring / 3250 / 130mm				Standard Electric Plate / 1500 / 180mm			
Front Left Area: Type / Power (W) / Dimensions	Auxiliary / 1000 / 55mm	Auxiliary / 1000 / 55mm	Auxiliary / 1000 / 55mm	Semi-Fast / 1900 / 75mm	Semi-Fast / 1900 / 75mm	Semi-Fast / 1900 / 75mm	Semi-Fast / 1900 / 75mm	Fast / 3000 / 100mm	Fast / 3000 / 100mm	Fast / 3000 / 100mm	Fast / 3000 / 100mm	Fast / 3000 / 100mm	Fast / 2900 / 100mm	Fast / 2900 / 100mm	
Front Middle Area: Type / Power (W) / Dimensions						Standard Electric Plate / 1000 / 145mm	Standard Electric Plate / 1000 / 145mm			Standard Electric Plate / 1000 / 145mm	Standard Electric Plate / 1000 / 145mm	Standard Electric Plate / 1000 / 145mm	Semi-Fast / 1900 / 75mm		
Front Right Area: Type / Power (W) / Dimensions	Fast / 3000 / 100mm	Fast / 3000 / 100mm	Fast / 3000 / 100mm	Fast / 2900 / 100mm	Fast / 2900 / 100mm	Fast / 2900 / 100mm	Fast / 2900 / 100mm	Auxiliary / 860 / 55mm	Auxiliary / 860 / 55mm	Auxiliary / 860 / 55mm	Auxiliary / 860 / 55mm	Auxiliary / 860 / 55mm	Auxiliary / 860 / 55mm	Auxiliary / 860 / 55mm	
Hob ignition	Button 2 Hands	Button 2 Hands	Button 2 Hands	Button 2 Hands	Button 2 Hands	Button 2 Hands	Button 2 Hands	Button 2 Hands	Button 2 Hands	Button 2 Hands	Button 2 Hands	Button 2 Hands	Button 2 Hands	Button 2 Hands	
Largest hob surface (cm²)	1450	1450						1150	1150	1150	1150				
<b>Oven</b>															
Main Oven type	9 Multichef	9 Multichef	Gas	Gas	Gas	Gas	Gas	7 Multichef	Static	Static	Static	Gas	Gas	Gas Without Grill	
Main Oven Max power (W)	3100	3100	4000	3700	3700	3700	3700	2300	2300	2300	2300	3020	3020	2600	
Main Oven net capacity (l)	68	68	68	119	119	119	119	48	52	52	52	48	48	48	
Main Oven Grill	Electric	Electric	Gas	Gas	Gas	Gas	Gas	Electric	Electric	Electric	Electric	Electric	Gas		
Main grill Max power (W)	2000	2000	3500	2500	2500	2500	2500	2300	2300	2300	2300	2300	2500		
Temperature control	Thermostat	Thermostat	Thermostat	Thermostat	Thermostat	Thermostat	Thermostat	Thermostat	Thermostat	Thermostat	Thermostat	Thermostat	Thermostat	Thermostat	
Lighting type	Normal	Normal	Normal	Normal	Normal	Normal	Normal	Normal	Normal	Normal	Normal	Normal	Normal	Normal	
Oven/grill ignition			•												
Main Oven Functions	Barbecue, Brioché, Tarts, Turnspit, Rising, Multicooking, Rotisserie, Defrosting, Traditional	Barbecue, Brioché, Tarts, Turnspit, Rising, Multicooking, Rotisserie, Defrosting, Traditional	Grill, Traditional	Grill, Traditional	Grill, Traditional	Grill, Traditional	Grill, Traditional	Bottom Heat Only, Top Heat Only, Gratin, Grill, Multicooking, Pastries, Traditional	Bottom Heat Only, Top Heat Only, Grill, Traditional	Bottom Heat Only, Top Heat Only, Grill, Traditional	Bottom Heat Only, Top Heat Only, Grill, Traditional	Grill, Traditional	Grill, Traditional	Traditional	
Cooking programming	Electronic Start/End Cooking	Electronic Start/End Cooking	Minute Minder	Minute Minder	Minute Minder	Minute Minder	Minute Minder	Minute Minder	Minute Minder	Minute Minder	Minute Minder	Minute Minder	Minute Minder	Minute Minder	
<b>Energy Label</b>															
Energy class	C	B						C	D	D	D				
Oven program used to determine energy class	Fan	Fan						Fan	Static	Static	Static				
Natural convection energy consumption (kWh)	1.41	1.30						1.287	1.338	1.338	1.338				
Forced convection energy consumption (kWh)	1.33	1.19						1.184							
Cleaning	Manual	Manual	Manual	Manual	Manual	Manual	Manual	Manual	Manual	Manual	Manual	Manual	Manual	Manual	
<b>Safety</b>															
Oven flame failure device			•	•	•	•	•	•				•		•	
Grill flame failure device			•	•	•	•	•	•							
Hob flame failure device	•	•	•	•	•	•	•	•	•	•	•	•	•	•	
Electric plate on/off indicator															
No. of main oven door glasses	2	2	2	2	2	2	2	3	2	2	2	2	1	2	
<b>Accessories</b>															
Turnspit	Transversal	Transversal	Transversal	Transversal	Transversal	Transversal	Transversal		Optional	Optional	Optional		Standard		
Main oven accessories	1 Shelf, 1 Tray	2 Shelves, 1 Tray	1 Shelf, 1 Tray	1 Shelf, 1 Tray	1 Shelf, 1 Tray	1 Shelf, 1 Tray	1 Shelf, 1 Tray	1 Shelf, 1 Tray	1 Shelf, 1 Tray	1 Shelf, 1 Tray	1 Shelf, 1 Tray	1 Shelf, 1 Tray	1 Shelf, 1 Tray	1 Shelf, 1 Tray	
<b>Dimensions</b>															
Width x Depth x Height (cm)	90x60x85	90x60x85	90x60x85	90x60x85	90x60x85	90x60x85	90x60x85	90x60x85	90x60x85	90x60x85	90x60x85	90x60x85	90x60x85	90x60x85	
<b>Technical features</b>															
Gas type	Methane (Gpl)	Methane (Gpl)	Gpl (Methane)	Gpl (Methane)	Gpl (Methane)	Gpl (Methane)	Gpl (Methane)	Gpl (Methane)	Gpl (Methane-City)	Gpl (Methane)	Gpl (Methane)	Gpl (Methane)	Gpl (Methane)	Gpl (Methane)	
Supply Voltage (V)	230-240	230-240	220	220-240	220-240	220-240	220-240	230	230	230	230	230	230	230	
Supply Frequency (Hz)	50	50	60	50/60	50/60	50/60	50/60	50/60	50/60	50/60	50/60	50/60	50/60	50/60	
Fuses	Mono 240 V - 16 A	Mono 240 V - 16 A	Mono 230 V - 6 A	Mono 230 V - 6 A	Mono 230 V - 6 A	Mono 230 V - 12 A	Mono 230 V - 12 A	Mono 230 V - 25 A	Mono 230 V - 25 A	Mono 230 V - 25 A	Mono 230 V - 25 A	Mono 230 V - 20 A	Mono 230 V - 6 A		
Plug Type															

Indesit reserves itself to bring changes to the products technical without notice.

60 x 60 cm

Description		K6C56(X)/GR	K6C51(W)/R	K6C320(X)/G	K6C320(X)/AUS	K6C320(W)/G	K6C11(W)/R	K6T72S(W)/I	K6T72S(X)/I	K6T21S(X)/EX	K6G520S(X)/G	K6G21S(X)/R	K6G21S(W)/I	K6G21S(X)/I	K6G210S(W)/G
<b>Code</b>		42382	30863	35977	62258	35976	30875	42578	33152	33672	64076	30898	30889	33155	64074
<b>Aesthetic</b>															
Cooker colour		Stainless Steel	White	Stainless Steel	Stainless Steel	White	White	White	Stainless Steel	Stainless Steel	Stainless Steel	Stainless Steel	White	Stainless Steel	White
No. of hob pan supports								2	2	2	2	2	2	2	2
Pan support type								Multiplay Enamelled Flat Wire	Multiplay Enamelled Flat Wire	Multiplay Enamelled Flat Wire	Enamelled Flat Wire	Multiplay Enamelled Flat Wire	Enamelled Flat Wire	Enamelled Flat Wire	Enamelled Flat Wire
Type of Lid								Glass	Glass	Glass		Glass	Glass	Glass	Glass
Knob colour		Black & Stainless Steel	White	Black	Black	White	White	White	Black	Black	Black	Black	White	Black	White
Handle colour		Black	White	Black	Black	White	White	White	Black	Black	Black	Black	White	Black	White
Oven door glass colour		Mirror With Frame	White	Mirror	Mirror	White	White	White	Mirror With Frame	Mirror With Frame	Mirror	Mirror With Frame	White	Mirror With Frame	White
Pirinth		Black Plastic	White Plastic	Black	Black	White	White Plastic			Black Plastic	Black				White
Legs								•	•			•	•	•	•
Dish warmer		Drawer	Drawer	Drawer	Drawer	Drawer	Drawer	Drawer	Drawer	Drawer	Drawer	Drawer	Drawer	Drawer	Drawer
Burner Cap								Enamelled Sheetmetal	Enamelled Sheetmetal	Enamelled Sheetmetal	Enamelled Sheetmetal	Enamelled Sheetmetal	Enamelled Sheetmetal	Enamelled Sheetmetal	Enamelled Sheetmetal
<b>Hob</b>															
No. Of Total Cooking areas		4	4	4	4	4	4	4	4	4	4	4	4	4	4
No. Gas Burners								4	4	4	4	4	4	4	4
No. electric plates															
No. Of Radiant areas		4	4	4	4	4	4								
Rear Left Area: Type / Power (W) / Dimensions		Radiant / 1200 / 145 mm	Radiant / 1200 / 145 mm	Radiant / 1200 / 145 mm	Radiant / 1200 / 145 mm	Radiant / 1200 / 145 mm	Radiant / 1200 / 145 mm	Semi-Fast / 1900 / 75mm	Semi-Fast / 1900 / 75mm	Semi-Fast / 1900 / 75mm	Semi-Fast / 1900 / 75mm	Semi-Fast / 1900 / 75mm	Semi-Fast / 1900 / 75mm	Semi-Fast / 1900 / 75mm	Semi-Fast / 1900 / 75mm
Rear Middle Area: Type / Power (W) / Dimensions															
Rear Right Area: Type / Power (W) / Dimensions		Radiant / 2100 / 210mm	Radiant / 2100 / 210mm	Radiant / 2100 / 215mm	Radiant / 2100 / 215mm	Radiant / 2100 / 215mm	Radiant / 2100 / 210mm	Fast / 3000 / 100mm	Fast / 3000 / 100mm	Fast / 3000 / 100mm	Semi-Fast / 1900 / 75mm	Semi-Fast / 1900 / 75mm	Semi-Fast / 1900 / 75mm	Semi-Fast / 1900 / 75mm	Semi-Fast / 1900 / 75mm
Middle Middle Area: Type / Power (W) / Dimensions															
Front Left Area: Type / Power (W) / Dimensions		Radiant / 1700 / 180mm	Radiant / 1700 / 180mm	Radiant / 1700 / 180mm	Radiant / 1700 / 180mm	Radiant / 1700 / 180mm	Radiant / 1700 / 180mm	Triple Ring / 3250 / 130mm	Triple Ring / 3250 / 130mm	Triple Ring / 3250 / 130mm	Fast / 3000 / 100mm	Fast / 3000 / 100mm	Ultra Fast 3300 100 Mm	Ultra Fast 3300 100 Mm	Fast / 3000 / 100mm
Front Middle Area: Type / Power (W) / Dimensions															
Front Right Area: Type / Power (W) / Dimensions		Radiant / 1200 / 145 mm	Radiant / 1200 / 145 mm	Radiant / 1200 / 145 mm	Radiant / 1200 / 145 mm	Radiant / 1200 / 145 mm	Radiant / 1200 / 145 mm	Auxiliary / 1000 / 55mm	Auxiliary / 1000 / 55mm	Auxiliary / 1000 / 55mm	Auxiliary / 1000 / 55mm	Auxiliary / 1000 / 55mm	Auxiliary / 1000 / 55mm	Auxiliary / 1000 / 55mm	Auxiliary / 1000 / 55mm
Hob ignition								Automatic One Hand	Automatic One Hand	Button 2 Hands	Button 2 Hands	Button 2 Hands	Button 2 Hands	Button 2 Hands	Button 2 Hands
Largest hob surface	(cm <sup>2</sup> )	1150	1150	1150	1150	1150	1150	1150	1150		1150				
<b>Oven</b>															
Main Oven type		5 Multichef	5 Multichef	Fan	Fan	Fan	Static	7 Multichef	7 Multichef	Gas	5 Multichef	Gas	Gas	Gas	Gas
Main Oven Max power	(W)	2250	2250	2400	2400	2400	2250	2800	2800	2600	2250	2600	2600	2600	2600
Main Oven net capacity	(l)	56	56	56	56	56	60	56	56	58	56	58	58	58	58
Main Oven Grill		Electric	Electric	Electric	Electric	Electric	Electric	Electric	Electric	Gas	Electric	Gas	Electric	Electric	Gas
Main grill Max power	(W)	2250	2250	2400	2400	2400	2250	2250	2250	2500	2250	2500	2250	2250	2500
Temperature control		Thermostat	Thermostat	Thermostat	Thermostat	Thermostat	Thermostat	Thermostat	Thermostat	Thermostat	Thermostat	Thermostat	Thermostat	Thermostat	Thermostat
Lighting type		Normal	Normal	Normal	Normal	Normal	Normal	Normal	Normal	Normal	Normal	Normal	Normal	Normal	Normal
Oven/grill ignition											•				•
Main Oven Functions		Static, Grill, Ventilated Oven, Double Grill, Ventilated Grill, Easy Defrost	Static, Grill, Ventilated Oven, Double Grill, Ventilated Grill, Easy Defrost	Gratin, Grill, Ventilated Oven	Gratin, Grill, Ventilated Oven	Gratin, Grill, Ventilated Oven	Bottom Heat Only, Top Heat Only, Grill, Traditional	Static, Pizza, Grill, Pastry, Multilevel Cooking, Ventilated Grill, Quick cook	Static, Pizza, Grill, Pastry, Multilevel Cooking, Ventilated Grill, Quick cook	Grill, Traditional	Static, Grill, Ventilated Oven, Double Grill, Ventilated Grill, Easy Defrost	Grill, Traditional	Grill, Traditional	Grill, Traditional	Grill, Traditional
Cooking programming		Electronic Start/End Cooking	Minute Minder	End Cooking Timer	End Cooking Timer	End Cooking Timer	Minute Minder	End Cooking Timer	End Cooking Timer	Minute Minder	End Cooking Timer	Minute Minder	Minute Minder	Minute Minder	Minute Minder
<b>Energy Label</b>															
Energy class		B	B	A	A	A	B	A	A		B				
Oven program used to determine energy class		Static	Static	Fan	Fan	Fan	Static	Cakes	Cakes		Static				
Natural convention energy consumption	(kWh)	0.89	0.89				0.83	0.99	0.99		0.87				
Forced convention energy consumption	(kWh)	0.98	0.98	0.78	0.78	0.78	0.78	0.79	0.79		0.95				
<b>Cleaning</b>															
		Manual	Manual	Manual	Manual	Manual	Manual	Manual	Manual	Manual	Manual	Manual	Manual	Manual	Manual
<b>Safety</b>															
Oven flame failure device												•	•	•	•
Grill flame failure device												•	•	•	•
Hob flame failure device								•	•	•	•	•	•	•	•
Electric plate on/off indicator		•	•	•	•	•	•								
No. of main oven door glasses		2	2	2	2	2	2	2	2	2	2	2	2	2	2
<b>Accessories</b>															
Turnspit		Standard	Standard				Standard			Standard		Standard			
Main oven accessories		1 Shelf, 1 Tray, 1 Deep Tray	1 Shelf, 1 Deep Tray	2 Shelves, Kit Grill Pan	1 Tray, 2 Shelves	2 Shelves, Kit Grill Pan	1 Shelf, 1 Deep Tray	2 Shelves, 2 Trays	2 Shelves, 2 Trays	1 Shelf, 1 Deep Tray	2 Shelves, Kit Grill Pan	1 Shelf, 1 Deep Tray	1 Shelf, 1 Tray	1 Shelf, 1 Tray	2 Shelves, Kit Grill Pan
<b>Dimensions</b>															
Width x Depth x Height	(cm)	60x60x85	60x60x85	60x60x90	60x60x90	60x60x90	60x60x85	60x60x85	60x60x85	60x60x85	60x60x90	60x60x85	60x60x85	60x60x85	60x60x90
<b>Technical features</b>															
Gas type								Methane (Gpl)	Methane (Gpl)	Gpl (Methane)	Methane (Gpl)	Methane (Gpl-Methane13Bar)	Methane (Gpl)	Methane (Gpl)	Methane (Gpl)
Supply Voltage	(V)	230/400 3N	230/400 3N	240	240	240	230/400 3N	220-230	220-230	220-240	230-240	220-240	220-230	220-230	220-240
Supply Frequency	(Hz)	50	50/60	50/60	50/60	50/60	50/60	50/60	50/60	50/60	50/60	50/60	50/60	50/60	50/60
Fuses		Mono 230 V - 32 A	Mono 230 V - 32 A	Mono 240 V - 32 A	Mono 240 V - 32 A	Mono 240 V - 32 A	Mono 230 V - 32 A	Mono 230 V - 16 A	Mono 230 V - 16 A	Mono 230 V - 6 A	Mono 240 V - 10 A	Mono 230 V - 6 A	Mono 230 V - 10 A	Mono 230 V - 10 A	Mono 230 V - 10 A
Plug Type											UK	Europa			UK

Indesit reserves itself to bring changes to the products technical without notice.

60 x 60 cm

Description		K6G210S(X)/G	K6M56S(W)/F	K6M55(X)/F	K6M1S(W)/F	K6E52(W)/EX	K6E51(W)/F	K6E32(X)/G	K6E32(W)/G	K6E11(W)/R
<b>Code</b>		64075	67448	67450	67446	33674	41034	33172	33171	30874
<b>Aesthetic</b>										
Cooker colour		Stainless Steel	White	Stainless Steel	White	White	White	Stainless Steel	White	White
No. of hob pan supports		2	2	2	2					
Pan support type		Enamelled Flat Wire	Enamelled Flat Wire	Enamelled Flat Wire	Enamelled Flat Wire					
Type of Lid			Enamelled Sheetmetal	Glass	Enamelled Sheetmetal	Glass	Enamelled Sheetmetal	Low splash back	Low splash back	Enamelled Sheetmetal
Knob colour		Black	White	Black	White	White	White	Black	White	White
Handle colour		Black	White	Black	White	White	White	Black	White	White
Oven door glass colour		Mirror	White	Mirror	White	White	White	Mirror With Frame	White	White
Pirinth		Black	White Plastic	Black Plastic	White Plastic	White Plastic	White Plastic	Black	White	White
Legs										
Dish warmer		Drawer	Drawer	Drawer	Drawer	Drawer	Drawer	Drawer	Drawer	Drawer
Burner Cap		Enamelled Sheetmetal	Enamelled Sheetmetal	Enamelled Sheetmetal	Enamelled Sheetmetal					
<b>Hob</b>										
No. Of Total Cooking areas		4	4	4	4	4	4	4	4	4
No. Gas Burners		4	3	3	3					
No. electric plates			1	1	1	4	4	4	4	4
No. Of Radiant areas										
Rear Left Area: Type / Power (W) / Dimensions		Semi-Fast / 1900 / 75mm	Semi-Fast / 1900 / 75mm	Semi-Fast / 1900 / 75mm	Semi-Fast / 1900 / 75mm	Fast Electric Plate / 2000 / 180mm	Fast Electric Plate / 2000 / 180mm	Fast Electric Plate / 2000 / 180mm	Fast Electric Plate / 2000 / 180mm	Fast Electric Plate / 2000 / 180mm
Rear Middle Area: Type / Power (W) / Dimensions										
Rear Right Area: Type / Power (W) / Dimensions		Semi-Fast / 1900 / 75mm	Fast Electric Plate / 2000 / 180mm	Fast Electric Plate / 2000 / 180mm	Fast Electric Plate / 2000 / 180mm	Standard Electric Plate / 2000 / 215mm	Standard Electric Plate / 2000 / 215mm	Standard Electric Plate / 2000 / 215mm	Standard Electric Plate / 2000 / 215mm	Standard Electric Plate / 2000 / 215mm
Middle Middle Area: Type / Power (W) / Dimensions										
Front Left Area: Type / Power (W) / Dimensions		Fast / 3000 / 100mm	Fast / 3000 / 100mm	Fast / 3000 / 100mm	Fast / 3000 / 100mm	Fast Electric Plate / 2000 / 180mm	Fast Electric Plate / 2000 / 180mm	Fast Electric Plate / 2000 / 180mm	Fast Electric Plate / 2000 / 180mm	Fast Electric Plate / 2000 / 180mm
Front Middle Area: Type / Power (W) / Dimensions										
Front Right Area: Type / Power (W) / Dimensions		Auxiliary / 1000 / 55mm	Auxiliary / 1000 / 55mm	Auxiliary / 1000 / 55mm	Auxiliary / 1000 / 55mm	Standard Electric Plate / 1000 / 145mm	Standard Electric Plate / 1000 / 145mm	Fast Electric Plate / 1500 / 145mm	Fast Electric Plate / 1500 / 145mm	Standard Electric Plate / 1000 / 145mm
Hob ignition		Button 2 Hands	Button 2 Hands	Button 2 Hands	Button 2 Hands					
Largest hob surface	(cm <sup>2</sup> )		1150	1150	1150	1150	1150	1150	1150	1150
<b>Oven</b>										
Main Oven type		Gas	5 Multichef	5 Multichef	Static	5 Multichef	5 Multichef	Fan	Fan	Static
Main Oven Max power	(W)	2600	2250	2250	2250	2250	2250	2400	2400	2250
Main Oven net capacity	(l)	58	56	56	60	56	56	56	56	60
Main Oven Grill		Gas	Electric	Electric	Electric	Electric	Electric	Electric	Electric	Electric
Main grill Max power	(W)	2500	2250	2250	2250	2250	2250	2400	2400	2250
Temperature control		Thermostat	Thermostat	Thermostat	Thermostat	Thermostat	Thermostat	Thermostat	Thermostat	Thermostat
Lighting type		Normal	Normal	Normal	Normal	Normal	Normal	Normal	Normal	Normal
Oven/grill ignition		•								
Main Oven Functions		Grill, Traditional	Static, Grill, Ventilated Oven, Double Grill, Ventilated Grill, Easy Defrost	Static, Grill, Ventilated Oven, Double Grill, Ventilated Grill, Easy Defrost	Bottom Heat Only, Top Heat Only, Grill, Traditional	Static, Grill, Ventilated Oven, Double Grill, Ventilated Grill, Easy Defrost	Static, Grill, Ventilated Oven, Double Grill, Ventilated Grill, Easy Defrost	Gratin, Grill, Ventilated Oven	Gratin, Grill, Ventilated Oven	Bottom Heat Only, Top Heat Only, Grill, Traditional
Cooking programming		Minute Minder	Electronic Start/End Cooking			End Cooking Timer	Minute Minder	End Cooking Timer	End Cooking Timer	Minute Minder
<b>Energy Label</b>										
Energy class			B	B	B	B	B	A	A	B
Oven program used to determine energy class			Static	Static	Static	Static	Static	Fan	Fan	Static
Natural convection energy consumption	(kWh)		0.90	0.90	0.88	0.89	0.90			0.83
Forced convection energy consumption	(kWh)		1.04	1.04		0.98	1.04	0.78	0.78	
<b>Cleaning</b>		Manual	Catalytic	Catalytic	Catalytic	Manual	Catalytic	Manual	Manual	Manual
<b>Safety</b>										
Oven flame failure device		•								
Grill flame failure device		•								
Hob flame failure device		•		•	•					
Electric plate on/off indicator			•	•	•	•	•	•	•	•
No. of main oven door glasses		2	2	2	2	2	2	2	2	2
<b>Accessories</b>										
Turnspit					Standard		Standard			
Main oven accessories		2 Shelves, Kit Grill Pan	1 Shelf, 1 Tray	1 Shelf, 1 Tray	1 Shelf, 1 Tray	1 Shelf, 1 Tray	1 Shelf, 1 Tray	2 Shelves, Kit Grill Pan	2 Shelves, Kit Grill Pan	1 Shelf, 1 Tray
<b>Dimensions</b>										
Width x Depth x Height	(cm)	60x 60x90	60x60x85	60x60x85	60x60x85	60x60x85	60x60x85	60x60x90	60x60x90	60x60x85
<b>Technical features</b>										
Gas type		Methane (Gpl)	Methane (Gpl-13Bar Methane)	Methane (Gpl-13Bar Methane)	Methane (Gpl-13Bar Methane)					
Supply Voltage	(V)	220-240	220-230	220-230	220-230	220-230/380-400	230/400 3N	230-240	230-240	230/400 3N
Supply Frequency	(Hz)	50/60	50	50/60	50/60	50/60	50/60	50/60	50/60	50/60
Fuses		Mono 230 V - 10 A	Mono 230 V - 20 A	Mono 230 V - 20 A	Mono 230 V - 20 A	Mono 230 V - 10 A	Mono 230 V - 32 A	Mono 240 V - 32 A	Mono 240 V - 32 A	Mono 230 V - 32 A
Plug Type		UK								

Indesit reserves itself to bring changes to the products technical without notice.

50 x 60 cm

Description		K3C55(X)R	K3C11(X)/AUS	K3C11(W)/AUS	K3G210S(X)/FR	K3G210S(W)/FR	K3G20S(W)/U	K3G2S(W)/G	K3G2S(W)/FR	K3G2S(W)/EX	K3G12S(X)/U	K3M51S(X)/FR	K3M51S(W)/FR	K3M11S(W)/EX	K3M1S(X)/FR
<b>Code</b>		35282	62262	62261	67427	67426	67235	64073	67429	38962	67222	67434	67433	38964	67432
<b>Aesthetic</b>															
Cooker colour		Stainless Steel	Stainless Steel	White	Stainless Steel	White	White	White	White	White	Stainless Steel	Stainless Steel	White	White	Stainless Steel
No. of hob pan supports					2	2	2	2	2	2	2	2	2	2	2
Pan support type					Enamelled Flat Wire	Enamelled Flat Wire	Enamelled Flat Wire	Enamelled Flat Wire	Enamelled Flat Wire	Enamelled Flat Wire	Reinforced Indesit	Enamelled Flat Wire	Enamelled Flat Wire	Enamelled Flat Wire	Enamelled Flat Wire
Type of Lid					Glass	Enamelled Sheetmetal			Enamelled Sheetmetal	Enamelled Sheetmetal	Glass	Glass	Enamelled Sheetmetal	Enamelled Sheetmetal	Glass
Knob colour		Black	Black	White	Black	White	White	White	White	White	Black	Black	White	White	Black
Handle colour		Black	Black	White	Black	White	White	White	White	White	Black	Black	White	White	Black
Oven door glass colour		Black	Black	White	Mirror	White	White	White	White	White	Black	Mirror	White	White	Mirror
Pirinth		Black Plastic	Black	White	Black Plastic	White Plastic	White	White	White Plastic	White	Black Plastic	Black Plastic	White Plastic	White	Black Plastic
<b>Legs</b>															
Dish warmer		Drawer	Drawer	Drawer	Flap	Flap	Flap	Flap	Flap	Flap	Drawer	Flap	Flap	Flap	Flap
Burner Cap					Enamelled Sheetmetal	Enamelled Sheetmetal	Enamelled Sheetmetal	Enamelled Sheetmetal	Enamelled Sheetmetal	Enamelled Sheetmetal	Enamelled Sheetmetal	Enamelled Sheetmetal	Enamelled Sheetmetal	Enamelled Sheetmetal	Enamelled Sheetmetal
<b>Hob</b>															
No. Of Total Cooking areas		4	4	4	4	4	4	4	4	4	4	4	4	4	4
No. Gas Burners					4	4	4	4	4	4	4	3	3	3	3
No. electric plates												1	1	1	1
No. Of Radiant areas		4	4	4											
Rear Left Area: Type / Power (W) / Dimensions		Radiant / 1700 / 180mm	Radiant / 1700 / 180mm	Radiant / 1700 / 180mm	Semi-Fast / 1900 / 75mm	Semi-Fast / 1900 / 75mm	Semi-Fast / 1700 / 75mm	Semi-Fast / 1900 / 75mm	Semi-Fast / 1900 / 75mm	Semi-Fast / 1900 / 75mm	Semi-Fast / 1700 / 75mm	Semi-Fast / 1900 / 75mm	Semi-Fast / 1900 / 75mm	Semi-Fast / 1900 / 75mm	Semi-Fast / 1900 / 75mm
Rear Middle Area: Type / Power (W) / Dimensions															
Rear Right Area: Type / Power (W) / Dimensions		Radiant / 1200 / 145 mm	Radiant / 1200 / 145 mm	Radiant / 1200 / 145 mm	Semi-Fast / 1900 / 75mm	Semi-Fast / 1900 / 75mm	Semi-Fast / 1700 / 75mm	Semi-Fast / 1900 / 75mm	Semi-Fast / 1900 / 75mm	Semi-Fast / 1900 / 75mm	Semi-Fast / 1700 / 75mm	Fast Electric Plate / 2000 / 180mm	Fast Electric Plate / 2000 / 180mm	Fast Electric Plate / 2000 / 180mm	Fast Electric Plate / 2000 / 180mm
Middle Middle Area: Type / Power (W) / Dimensions															
Front Left Area: Type / Power (W) / Dimensions		Radiant / 1200 / 145 mm	Radiant / 1200 / 145 mm	Radiant / 1200 / 145 mm	Auxiliary / 1000 / 55mm	Auxiliary / 1000 / 55mm	Auxiliary / 900 / 55mm	Auxiliary / 1000 / 55mm	Auxiliary / 1000 / 55mm	Auxiliary / 1000 / 55mm	Auxiliary / 900 / 55mm	Auxiliary / 1000 / 55mm	Auxiliary / 1000 / 55mm	Auxiliary / 1000 / 55mm	Auxiliary / 1000 / 55mm
Front Middle Area: Type / Power (W) / Dimensions															
Front Right Area: Type / Power (W) / Dimensions		Radiant / 1700 / 180mm	Radiant / 1700 / 180mm	Radiant / 1700 / 180mm	Fast / 3000 / 100mm	Fast / 3000 / 100mm	Fast 2700 100 Mm	Fast / 3000 / 100mm	Fast / 3000 / 100mm	Fast / 3000 / 100mm	Fast 2700 100 Mm	Fast / 3000 / 100mm	Fast / 3000 / 100mm	Fast / 3000 / 100mm	Fast / 3000 / 100mm
Hob ignition	(cm)				Button 2 Hands	Button 2 Hands		Button 2 Hands	Button 2 Hands		Automatic One Hand	Button 2 Hands	Button 2 Hands	Button 2 Hands	Button 2 Hands
Largest hob surface		1250	1250	1250							1250	1250	1250	1250	1250
<b>Oven</b>															
Main Oven type	(W)	5 Multichef	Static	Static	Gas	Gas	Gas Without Grill	Gas	Gas Without Grill	Gas	Static	5 Multichef	5 Multichef	Static	Static
Main Oven Max power	(l)	2100	2000	2000	3100	3100	2800	3100	3100	3100	2100	2100	2100	2100	2100
Main Oven net capacity		54	58	58	58	58	58	58	58	58	58	54	54	58	58
Main Oven Grill	(W)	Electric	Electric	Electric	Electric	Electric		Gas		Gas	Electric	Electric	Electric	Electric	Electric
Main grill Max power		2100	2000	2000	2100	2100		2500		2500	2100	2100	2100	2100	2100
Temperature control		Thermostat	Thermostat	Thermostat	Thermostat	Thermostat	Thermostat	Thermostat	Thermostat	Thermostat	Thermostat	Thermostat	Thermostat	Thermostat	Thermostat
Lighting type		Normal	Normal	Normal	Normal	Normal					Normal	Normal	Normal	Normal	Normal
Oven/grill ignition															
Main Oven Functions		Static, Grill, Ventilated Oven, Double Grill, Ventilated Grill, Easy Defrost	Bottom Heat Only, Top Heat Only, Grill, Traditional	Bottom Heat Only, Top Heat Only, Grill, Traditional	Grill, Traditional	Grill, Traditional	Traditional	Grill, Traditional	Traditional	Grill, Traditional	Bottom Heat Only, Top Heat Only, Grill, Traditional	Static, Grill, Ventilated Oven, Double Grill, Ventilated Grill, Easy Defrost	Static, Grill, Ventilated Oven, Double Grill, Ventilated Grill, Easy Defrost	Bottom Heat Only, Top Heat Only, Grill, Traditional	Bottom Heat Only, Top Heat Only, Grill, Traditional
Cooking programming		Electronic 3 Buttons Minute Minder	Minute Minder	Minute Minder	Minute Minder	Minute Minder					End Cooking Timer	Minute Minder	Minute Minder	Minute Minder	
<b>Energy Label</b>															
Energy class	(kWh)	B	A	A							A	C	C	C	C
Oven program used to determine energy class	(kWh)	Fan	Static	Static							Static	Fan	Fan	Static	Static
Natural convection energy consumption		1.06	0.79	0.79							0.79	1.14	1.14	1.13	1.13
Forced convection energy consumption		0.99									1.09	1.09			
<b>Cleaning</b>															
		Manual	Manual	Manual	Catalytic	Catalytic	Manual	Manual	Manual	Manual	Manual	Catalytic	Catalytic	Manual	Catalytic
<b>Safety</b>															
Oven flame failure device					•	•	•	•	•	•					
Grill flame failure device								•		•					
Hob flame failure device					•	•	•	•	•	•	•	•	•	•	•
Electric plate on/off indicator		•	•	•							•	•	•	•	•
No. of main oven door glasses		2	2	2	2	2	2	2	2	2	2	2	2	2	2
<b>Accessories</b>															
Turnspit		Standard	Standard	Standard	Standard	Standard					Standard	Standard	Standard		
Main oven accessories	(cm)	1 Shelf, 1 Tray, 1 Deep Tray	1 Tray, 2 Shelves	1 Tray, 2 Shelves	1 Shelf, 1 Tray	1 Shelf, 1 Tray	1 Shelf, 1 Tray	1 Shelf, 1 Tray	1 Shelf, 1 Tray	1 Shelf, 1 Tray	1 Shelf, 2 Trays	1 Shelf, 1 Tray	1 Shelf, 1 Tray	1 Shelf, 1 Tray	1 Shelf, 1 Tray
<b>Dimensions</b>															
Width x Depth x Height		50x60x85	50x60x90	50x60x90	50x60x85	50x60x85	50x60x85	50x60x90	50x60x85	50x60x85	50x60x85	50x60x85	50x60x85	50x60x85	50x60x85
<b>Technical features</b>															
Gas type					Methane (Gpl-13Bar Methane)	Methane (Gpl-13Bar Methane)	Gz50 (Gpb-B - Gz35)	Methane (Gpl)	Methane (Gpl-13Bar Methane)	Gpl	Gz50 (Gpb-B - Gz35)	Methane (Gpl-13Bar Methane)	Methane (Gpl-13Bar Methane)	Gpl	Methane (Gpl-13Bar Methane)
Supply Voltage	(V)	230/400 3N	240	240	220-230	220-230		220-240	220-240	220-240	220-230	220-230	220-230	220-230	220-230
Supply Frequency	(Hz)	50	50/60	50/60	50/60	50/60		50/60	50/60	50/60	50/60	50/60	50/60	50/60	50/60
Fuses		Mono 230 V - 32 A	Mono 240 V - 32 A	Mono 230 V - 32 A	Mono 230 V - 10 A	Mono 230 V - 10 A		Mono 240 V - 6 A	Mono 230 V - 6 A	Mono 230 V - 6 A	Mono 230 V - 10 A	Mono 230 V - 20 A	Mono 230 V - 20 A	Mono 230 V - 20 A	Mono 230 V - 16 A
Plug Type								UK			Europa				

Indesit reserves itself to bring changes to the products technical without notice.

	50 x 60 cm						50 x 50 cm							
Description	K3M1S(W)/FR	K3N11S(W)/R	K3E11(W)/I	K3E11(X)/G	K3E11(W)/R	K3E11(W)/G	KJ3G20S(W)/U	K1G21S(X)/R	K1G21S(W)/R	K1G21S(X)/I	K1G2S(W)/I	K1G20S(W)/I	K1E1(W)/R	
<b>Code</b>	67431	35290	34134	35944	35283	35943	67229	35298	35297	34138	34137	58217	35291	
<b>Aesthetic</b>														
Cooker colour	White	White	White	Stainless Steel	White	White	White	Stainless Steel	White	Stainless Steel	White	White	White	
No. of hob pan supports	2	1					2	2	2	2	2	2	2	
Pan support type	Enamelled Flat Wire	Enamelled Flat Wire					Enamelled Flat Wire	Enamelled Flat Wire	Enamelled Flat Wire	Enamelled Flat Wire	Enamelled Flat Wire	Enamelled Flat Wire	Enamelled Flat Wire	
Type of Lid	Enamelled Sheetmetal	Enamelled Sheetmetal	Enamelled Sheetmetal		Enamelled Sheetmetal			Glass	Enamelled Sheetmetal	Glass	Enamelled Sheetmetal	Enamelled Sheetmetal	Enamelled Sheetmetal	
Knob colour	White	White	White	Black	White	White	White	Black	White	Black	White	White	White	
Handle colour	White	White	White	Black	White	White	White	Black	White	Black	White	White	White	
Oven door glass colour	White	White	White	Mirror	White	White	White	Black	White	Black	White	White	White	
Pirinth	White Plastic	White Plastic	White	Black	White Plastic	White	White	Black	White	Black	White	White	White	
<b>Legs</b>														
Dish warmer	Flap	Flap	Flap	Flap	Drawer	Flap	Flap	Flap	Flap	Flap	Flap	Flap	Flap	
Burner Cap	Enamelled Sheetmetal	Enamelled Sheetmetal					Enamelled Sheetmetal	Enamelled Sheetmetal	Enamelled Sheetmetal	Enamelled Sheetmetal	Enamelled Sheetmetal	Enamelled Sheetmetal	Enamelled Sheetmetal	
<b>Hob</b>														
No. Of Total Cooking areas	4	4	4	4	4	4	4	4	4	4	4	4	4	
No. Gas Burners	3	2					4	4	4	4	4	4	4	
No. electric plates	1	2	4	4	4	4							4	
No. Of Radiant areas														
Rear Left Area: Type / Power (W) / Dimensions	Semi-Fast / 1900 / 75mm	Fast Electric Plate / 2000 / 180mm	Fast Electric Plate / 2000 / 180mm	Fast Electric Plate / 2000 / 180mm	Fast Electric Plate / 2000 / 180mm	Fast Electric Plate / 2000 / 180mm	Semi-Fast / 1700 / 75mm	Semi-Fast / 1900 / 75mm	Semi-Fast / 1900 / 75mm	Semi-Fast / 1900 / 75mm	Semi-Fast / 1900 / 75mm	Semi-Fast / 1900 / 75mm	Fast Electric Plate / 2000 / 180mm	
Rear Middle Area: Type / Power (W) / Dimensions														
Rear Right Area: Type / Power (W) / Dimensions	Fast Electric Plate / 2000 / 180mm	Semi-Fast / 1900 / 75mm	Fast Electric Plate / 1500 / 145mm	Fast Electric Plate / 1500 / 145mm	Fast Electric Plate / 1500 / 145mm	Fast Electric Plate / 1500 / 145mm	Semi-Fast / 1700 / 75mm	Semi-Fast / 1900 / 75mm	Semi-Fast / 1900 / 75mm	Semi-Fast / 1900 / 75mm	Semi-Fast / 1900 / 75mm	Semi-Fast / 1900 / 75mm	Fast Electric Plate / 1500 / 145mm	
Middle Middle Area: Type / Power (W) / Dimensions														
Front Left Area: Type / Power (W) / Dimensions	Auxiliary / 1000 / 55mm	Fast Electric Plate / 1500 / 145mm	Fast Electric Plate / 1500 / 145mm	Fast Electric Plate / 1500 / 145mm	Fast Electric Plate / 1500 / 145mm	Fast Electric Plate / 1500 / 145mm	Auxiliary / 900 / 55mm	Auxiliary / 1000 / 55mm	Auxiliary / 1000 / 55mm	Auxiliary / 1000 / 55mm	Auxiliary / 1000 / 55mm	Auxiliary / 1000 / 55mm	Standard Electric Plate / 600 / 110 Mm	
Front Middle Area: Type / Power (W) / Dimensions														
Front Right Area: Type / Power (W) / Dimensions	Fast / 3000 / 100mm	Fast / 3000 / 100mm	Fast Electric Plate / 2000 / 180mm	Fast Electric Plate / 2000 / 180mm	Fast Electric Plate / 2000 / 180mm	Fast Electric Plate / 2000 / 180mm	Fast 2700 100 Mm	Fast / 3000 / 100mm	Fast / 3000 / 100mm	Fast / 3000 / 100mm	Fast / 3000 / 100mm	Fast / 3000 / 100mm	Fast Electric Plate / 1500 / 145mm	
Hob ignition	Button 2 Hands	Button 2 Hands					Button 2 Hands	Button 2 Hands	Button 2 Hands					
Largest hob surface (cm)	1250	1250	1250	1250	1250	1250							1435	
<b>Oven</b>														
Main Oven type	Static	Static	Static	Static	Static	Static	Gas Without Grill	Gas	Gas	Gas	Gas	Gas Without Grill	Static	
Main Oven Max power (W)	2100	2100	2100	2000	2100	2000	2800	3100	3100	3100	3100	2000	2000	
Main Oven net capacity (l)	58	58	58	58	58	58	58	50	50	50	50	50	50	
Main Oven Grill	Electric	Electric	Electric	Electric	Electric	Electric		Gas	Gas	Electric	Electric		Electric	
Main grill Max power (W)	2100	2100	2100	2000	2100	2000		2500	2500	2000	2000		2000	
Temperature control	Thermostat	Thermostat	Thermostat	Thermostat	Thermostat	Thermostat	Thermostat	Thermostat	Thermostat	Thermostat	Thermostat	Thermostat	Thermostat	
Lighting type	Normal	Normal	Normal	Normal	Normal	Normal		Normal	Normal	Normal	Normal	Normal	Normal	
Oven/grill ignition														
Main Oven Functions	Bottom Heat Only, Top Heat Only, Grill, Traditional	Bottom Heat Only, Top Heat Only, Grill, Traditional	Bottom Heat Only, Top Heat Only, Grill, Traditional	Bottom Heat Only, Top Heat Only, Grill, Traditional	Bottom Heat Only, Top Heat Only, Grill, Traditional	Bottom Heat Only, Top Heat Only, Grill, Traditional	Traditional	Grill, Traditional	Grill, Traditional	Grill, Traditional	Grill, Traditional	Traditional	Bottom Heat Only, Top Heat Only, Grill, Traditional	
Cooking programming		Minute Minder	Minute Minder	Minute Minder	Minute Minder			Minute Minder	Minute Minder	Minute Minder				
<b>Energy Label</b>														
Energy class	C	C	B	B	A	B							C	
Oven program used to determine energy class	Static	Static	Static	Static	Static	Static							Static	
Natural convention energy consumption (kWh)	1.13	1.13	0.99	0.99	0.79	0.99							1.14	
Forced convention energy consumption (kWh)														
<b>Cleaning</b>	Catalytic	Manual	Manual	Manual	Manual	Manual	Manual	Manual	Manual	Manual	Manual	Manual	Manual	
<b>Safety</b>														
Oven flame failure device							•	•	•	•	•	•	•	
Grill flame failure device								•	•					
Hob flame failure device	•	•					•	•	•	•	•	•	•	
Electric plate on/off indicator	•	•	•	•	•	•							•	
No. of main oven door glasses	2	2	2	2	2	2	2	2	2	2	2	2	2	
<b>Accessories</b>														
Turnspit		Standard			Standard			Standard	Standard					
Main oven accessories	1 Shelf, 1 Tray	1 Shelf, 1 Tray	1 Shelf, 1 Tray	1 Shelf, 1 Tray	1 Shelf, 1 Tray	1 Shelf, 1 Tray	1 Shelf, 1 Tray	1 Shelf, 1 Pastry Plate, 2 Trays	1 Shelf, 1 Pastry Plate, 2 Trays	1 Shelf, 1 Tray	1 Shelf, 1 Tray	1 Shelf, 1 Tray	1 Shelf, 1 Tray	
<b>Dimensions</b>														
Width x Depth x Height (cm)	50x60x85	50x60x85	50x60x85	50x60x90	50x60x85	50x60x90	50x60x85	50x50x85	50x50x85	50x50x85	50x50x85	50x50x85	50x50x85	
<b>Technical features</b>														
Gas type	Methane (Gpl-13Bar Methane)	Methane (Gpl-Methane13Bar)					Gz50 (Gpb-B - Gz35)	Methane (Gpl-Methane13Bar)	Methane (Gpl-Methane13Bar)	Methane (Gpl)	Methane (Gpl)	Methane (Gpl)		
Supply Voltage (V)	220-230	220-230	220-230/380-400	240	230/400 3N	240	220-240	220-240	220-240	220-230	220-230		230/400 3N	
Supply Frequency (Hz)	50/60	50/60	50/60	50/60	50/60	50/60	50/60	50/60	50/60	50/60	50/60		50/60	
Fuses	Mono 230 V - 16 A	Mono 230 V - 25 A	Mono 230 V - 32 A	Mono 240 V - 32 A	Mono 230 V - 32 A	Mono 240 V - 32 A	Mono 230 V - 6 A	Mono 230 V - 6 A	Mono 230 V - 6 A	Mono 230 V - 10 A	Mono 230 V - 10 A		Mono 240 V - 32 A	
Plug Type		Europa					Europa	Europa	Europa	Europa				

Indesit reserves itself to bring changes to the products technical without notice.

60 x 60 cm Double Oven

Description		KD6C35X	KD6C35W	KD6C35K
<b>Code</b>		53273	53270	68887
<b>Aesthetic</b>				
Cooker colour		Stainless Steel	White	Black
Type of Lid				
Knob colour		Champagne	White	Champagne
Handle colour		Champagne	White	Champagne
Oven door glass colour		Mirror With Frame	White	Black
Pirinth				
Legs				
Dish warmer				
<b>Hob</b>				
No. Of Total Cooking areas		4	4	4
No. Gas Burners				
No. Of Radiant areas		4	4	4
Rear Left Area: Type / Power (W) / Dimensions		Radiant / 1200 / 145 mm	Radiant / 1200 / 145 mm	Radiant / 1200 / 145 mm
Rear Right Area: Type / Power (W) / Dimensions		Radiant /1800 / 180mm	Radiant /1800 / 180mm	Radiant /1800 / 180mm
Front Left Area: Type / Power (W) / Dimensions		Radiant /1800 / 180mm	Radiant /1800 / 180mm	Radiant /1800 / 180mm
Front Right Area: Type / Power (W) / Dimensions		Radiant / 1200 / 145 mm	Radiant / 1200 / 145 mm	Radiant / 1200 / 145 mm
Largest hob surface	(cm <sup>2</sup> )			
<b>Oven</b>				
Main Oven type		Fan	Fan	Fan
Secondary oven type		Static + grill	Static + grill	Static + grill
Main Oven Max power	(W)	2000	2000	2000
Secondary Oven Max power	(W)	1865	1865	1865
Main Oven net capacity	(l)	65	65	65
Secondary Oven net capacity	(l)	35	35	35
Main Oven Grill				
Secondary Oven Grill		Electric	Electric	Electric
Main grill Max power	(W)			
Secondary grill Max power	(W)	2660	2660	2660
Temperature control		Thermostat	Thermostat	Thermostat
Temperature control		Thermostat	Thermostat	Thermostat
Lighting type		Normal	Normal	Normal
Secondary oven lighting type				
Oven/grill ignition				
Secondary grill/oven ignition				
Main Oven Functions		Fan	Fan	Fan
Cooking programming		Electronic 3 Buttons Minute Minder	Electronic 3 Buttons Minute Minder	Electronic 3 Buttons Minute Minder
Secondary Oven Functions		Grill, Static	Grill, Static	Grill, Static
<b>Energy Label</b>				
Energy class		B	B	B
Oven program used to determine energy class		Fan	Fan	Fan
Secondary Oven Energy Class		B	B	B
Secondary oven program used to determine energy class		Static	Static	Static
Natural convection energy consumption	(kWh)			
Forced convection energy consumption	(kWh)	1.19	1.19	1.19
<b>Cleaning</b>				
Secondary Oven Cleaning		Manual	Manual	Manual
<b>Safety</b>				
Electric plate on/off indicator		•	•	•
No. of main oven door glasses		2	2	2
No. of secondary oven door glasses		1	1	1
<b>Accessories</b>				
Turnspit				
Main oven accessories		2 Shelves	2 Shelves	2 Shelves
Secondary oven accessories		1 Grid, Kit Grill Pan	1 Grid, Kit Grill Pan	1 Grid, Kit Grill Pan
<b>Dimensions</b>				
Width PF x Depth PF x Height PF	(cm)	60x60x90	60x60x90	60x60x90
<b>Technical features</b>				
Supply Voltage	(V)	230-240	230-240	230-240
Supply Frequency	(Hz)	50	50	50
Fuses		Mono 240 V - 32 A	Mono 240 V - 32 A	Mono 240 V - 32 A
Plug Type				

Indesit reserves itself to bring changes to the products technical without notice.

50 x 60 cm Twin Cavity

Description		KD3C11(X)/G	KD3C1(W)/G	KD3E1(W)/G
<b>Code</b>		34925	34924	34926
<b>Aesthetic</b>				
Cooker colour		Stainless Steel	White	White
Type of Lid				
Knob colour		Black	White	White
Handle colour		Black	White	White
Oven door glass colour		Black	White	White
Pirinth		Black	Black	Black
Legs				
Dish warmer				
<b>Hob</b>				
No. Of Total Cooking areas		4	4	4
No. Gas Burners				
No. Of Radiant areas		4	4	
Rear Left Area: Type / Power (W) / Dimensions		Radiant / 1700 / 180mm	Radiant / 1700 / 180mm	Fast Electric Plate / 2000 / 180mm
Rear Right Area: Type / Power (W) / Dimensions		Radiant / 1200 / 145 mm	Radiant / 1200 / 145 mm	Fast Electric Plate / 1500 / 145mm
Front Left Area: Type / Power (W) / Dimensions		Radiant / 1200 / 145 mm	Radiant / 1200 / 145 mm	Fast Electric Plate / 1500 / 145mm
Front Right Area: Type / Power (W) / Dimensions		Radiant / 1700 / 180mm	Radiant / 1700 / 180mm	Fast Electric Plate / 2000 / 180mm
Largest hob surface	(cm <sup>2</sup> )	1250	1250	1250
<b>Oven</b>				
Main Oven type		Static	Static	Static
Secondary oven type		Grill	Grill	Grill
Main Oven Max power	(W)	1960	1960	1960
Secondary Oven Max power	(W)			
Main Oven net capacity	(l)	58	58	58
Secondary Oven net capacity	(l)	28	28	28
Main Oven Grill				
Secondary Oven Grill		Electric	Electric	Electric
Main grill Max power	(W)	1090	1090	1090
Secondary grill Max power	(W)	1530	1530	1530
Temperature control		Thermostat	Thermostat	Thermostat
Temperature control		Thermostat	Thermostat	Thermostat
Lighting type		Normal	Normal	Normal
Secondary oven lighting type				
Oven/grill ignition				
Secondary grill/oven ignition				
Main Oven Functions		Traditional	Traditional	Traditional
Cooking programming		Minute Minder		
Secondary Oven Functions		Grill	Grill	Grill
<b>Energy Label</b>				
Energy class		B	B	B
Oven program used to determine energy class		Static	Static	Static
Secondary Oven Energy Class				
Secondary oven program used to determine energy class				
Natural convection energy consumption	(kWh)	0.99	0.99	0.99
Forced convection energy consumption	(kWh)			
<b>Cleaning</b>				
Secondary Oven Cleaning		Manual	Manual	Manual
<b>Safety</b>				
Electric plate on/off indicator		•	•	•
No. of main oven door glasses		2	2	2
No. of secondary oven door glasses		1	1	1
<b>Accessories</b>				
Turnspit				
Main oven accessories		2 Shelves, Kit Grill Pan	2 Shelves, Kit Grill Pan	2 Shelves, Kit Grill Pan
Secondary oven accessories				
<b>Dimensions</b>				
Width PF x Depth PF x Height PF	(cm)	50x60x90	50x60x90	50x60x90
<b>Technical features</b>				
Supply Voltage	(V)	240	240	240
Supply Frequency	(Hz)	50/60	50/60	50/60
Fuses		Mono 240 V - 32 A	Mono 240 V - 32 A	Mono 240 V - 32 A
Plug Type				

Indesit reserves itself to bring changes to the products technical without notice.

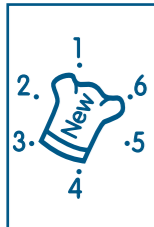
## Not just beautiful, but also easy to use!

The new Indesit ovens have been created to satisfy all your functional and furnishing needs. Perfectly coordinable with the new trends in design, they offer practical solutions and cooking features.



### Multichef oven (7 programmes)

Created to help you in the preparation of your dishes, from the simplest to the most elaborate, the electric multifunction oven with its seven programmes – static, pizza, grill, vented grill, pastries, multilevel and quick cooking – guarantees a perfect success on all recipes.



### Multichef oven (6 programmes)

The electric multifunction oven allows an extraordinary versatility in the preparation of any recipe. With six programmes – static, pizza, grill, vented grill, pastries, multilevel - you will be able to choose the most suitable cooking system for every food.

**A**

High performance with low consumption, significant energy savings and a strong focus on the environment, these are the main features of Indesit's new ovens. Crucial technological innovation and the use of high quality materials have enabled these products to obtain the A class, the highest European award that grades performance effectiveness in relation to reduced consumption.



### Display

In order to help you to save time without having to renounce to your favourite dishes, Indesit proposes an easy and practical display. You can thus programme in advance the length and the end of the cooking time, and at the end the oven will turn off by itself, informing you with an acoustic signal that everything is ready. But that's not all: the programmer is also a perfect watch.

### Design

The new ovens have been designed to allow an easy coordination. But they're not just beautiful: they're also strong, solid and functional, thanks to the new monoblock structure and to the new cooking programmes. Moreover, in the models with display the oven's handle is metallic. The design of the handle and of the knobs is new, and they are coordinated with the new hobs design. Everything has been thought to make everyday life easier and more fun.

### Quick clean

Today, even the oven's cleaning is easier and faster. The inside of the oven is, in fact, covered with a special polish that allows you to clean the oven with less fatigue.

### Microwaves

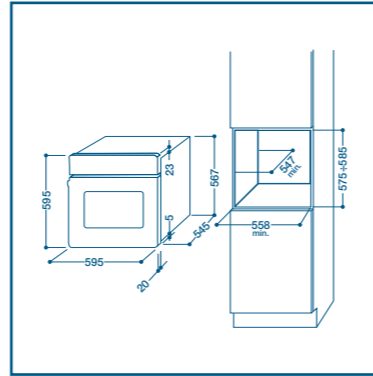
The new Indesit microwave provides a wide range of cooking and defrosting programs to meet all your different needs. It is possible to combine microwave and grill functions to make food cook faster than traditional ovens. The grill program is the ideal solution for cooking meat. It is activated immediately after the microwave cooking program, it makes food crispy. Programming is really easy and user-friendly thanks to the pre-set up programs dedicated to the cooking and defrosting of different food types. Program activation is automatic and you only need to select the program corresponding to the dish you choose to cook or defrost and set the weight: the oven will automatically set up in accordance with the duration of the cooking or defrosting.



Model	Colour	Code
FIE 73 K.A IX	stainless steel	56750

- **Electric Multifunction Oven**
- Multichef 7 programmes
- Digital Timer Easy to use
- Knobs and buttons controls
- **Energy class: A**
- Electric grill
- Integrated Ventilation System
- Thermostat
- Triple glass oven door

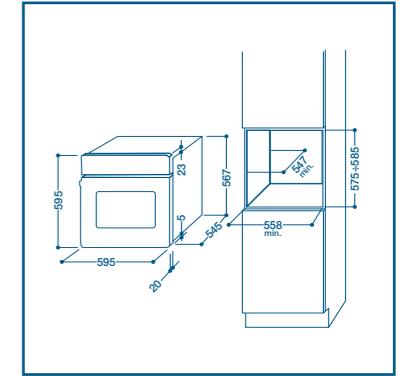
Also available with catalytic Cleaning System  
56751 - FIE 73 KC IX NZ



Model	Colour	Code
FI 53 KC.A (BK)	black	68940

- **Electric Multifunction Oven**
- Multichef 5 programmes
- Digital Timer Easy to use
- Knobs and buttons controls
- **Energy class: A**
- Electric grill
- Integrated Ventilation System
- Thermostat
- Catalytic cleaning system
- Double glass oven door

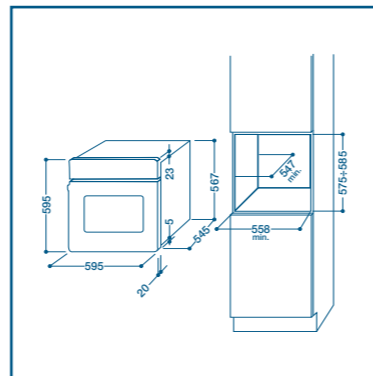
Also available in stainless steel  
68942 - FI 53 KC.A IX  
in white 68941 - FI 53 KC.A (WH)



Model	Colour	Code
FIE 61 K.A IX	stainless steel	33902

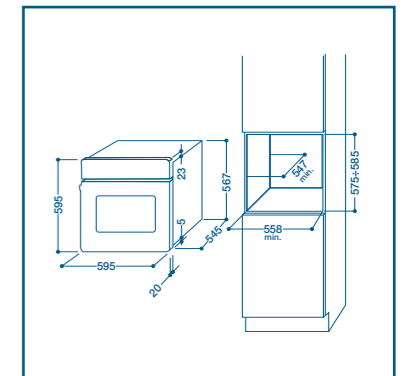
- **Electric Multifunction Oven**
- Multichef 6 programmes
- Minute minder
- Knob controls
- **Energy class: A**
- Electric grill
- Integrated Ventilation System
- Thermostat
- Triple glass oven door

Also available  
42725 - FIE 61 K IX AUS



Model	Colour	Code
FI 51 K.A IX	stainless steel	65876

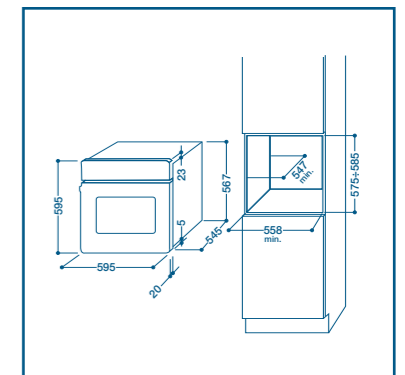
- **Electric Multifunction Oven**
- Multichef 5 programmes
- Minute minder
- Knob controls
- **Energy class: A**
- Electric grill
- Integrated Ventilation System
- Thermostat
- Double glass oven door



Model	Colour	Code
FI 51.A (BK)	black	68279

- **Electric Multifunction Oven**
- Multichef 5 programmes
- Minute minder
- Knob controls
- **Energy class: A**
- Electric grill
- Thermostat
- Double glass oven door

Also available in white 68277 - FI 51.A (WH)  
in stainless steel 68276 - FI 51.A IX



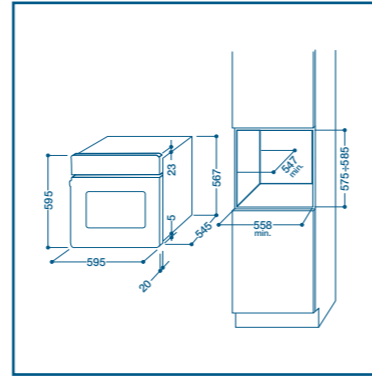


A

Model	Colour	Code
FI 20 K.A IX	stainless steel	65877

- **Electric Static Oven**
- Knob controls
- **Energy class: A**
- Electric grill
- Integrated Ventilation System
- Thermostat
- Double glass oven door

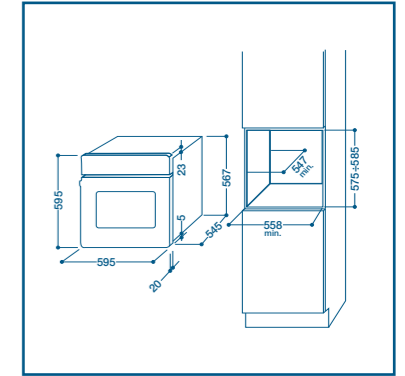
Also available  
in black **68676 - FI 20 K.A (BK)**



A

Model	Colour	Code
FGI K IX	stainless steel	33891

- **Gas Oven**
- Electronic Ignition
- Minute minder
- Knob controls
- Electric grill
- Integrated Ventilation System
- Thermostat
- Oven flame failure device
- Double glass oven door

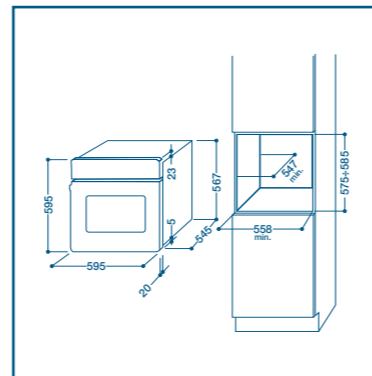


A

Model	Colour	Code
FI 20.A IX	stainless steel	68273

- **Electric Static Oven**
- Knob controls
- **Energy class: A**
- Electric grill
- Thermostat
- Double glass oven door

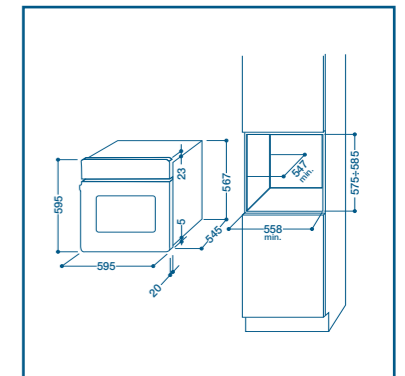
Also available  
in black **68275 - FI 20.A (BK)**  
in white **68274 - FI 20.A (WH)**



A

Model	Colour	Code
FGI K (BK)	black	33890

- **Gas Oven**
- Electronic Ignition
- Minute minder
- Knob controls
- Electric grill
- Integrated Ventilation System
- Thermostat
- Oven flame failure device
- Double glass oven door

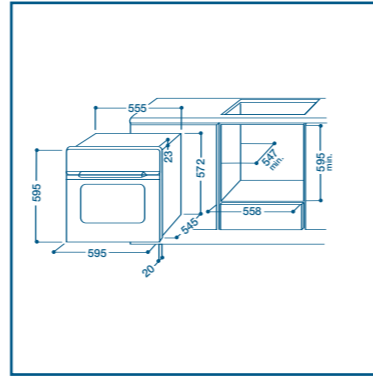




Model	Colour	Code
HI 50.A IX	stainless steel	68269

- **Electric Multifunction Oven**
- Multichef 5 programmes
- Knob controls
- **Energy class: A**
- Electric grill
- Thermostat
- Double glass oven door

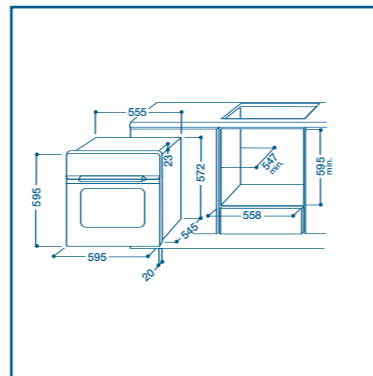
There is also the possibility of matching with the hob **28220 - KE 042 (IX)**



Model	Colour	Code
HI 20.A IX	stainless steel	36791

- **Static Oven**
- Knob controls
- **Energy class: A**
- Electric grill
- Thermostat
- Double glass oven door

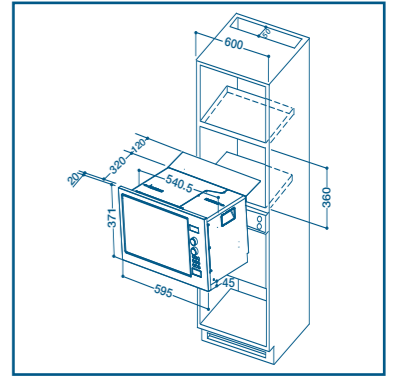
There is also the possibility of matching with the hob **28220 - KE 042 (IX)**



Model	Colour	Code
MWI 222 IX	stainless steel	58163

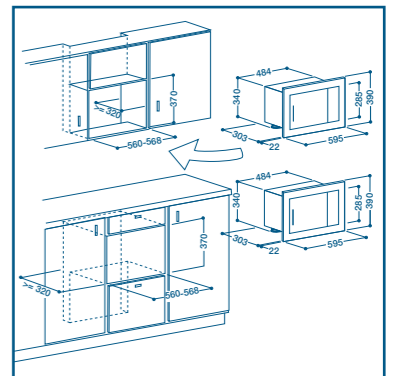
- **Electronic Microwave and grill**
- 5 power levels
- 3 cooking types: Microwave, Grill, Microwave + Grill
- Digital Clock
- Sensor and Weight Control
- End of cooking signal

Also available without digital clock **58164 - MWI 212 IX**



Model	Colour	Code
MWI 12 IX	stainless steel	45723

- **Mechanic Microwave and grill**
- 5 power levels
- 3 cooking types: Microwave, Grill, Microwave + Grill
- End of cooking signal



Description		FGI K IX	FGI K (BK)	FIE 73 K.A IX	FIE 73 KC IX NZ	FIE 61 K.A IX	FIE 61 K IX AUS	FI 53 KC.A (BK)	FI 53 KC.A IX	FI 53 KC.A (WH)	FI 51 K.A IX	FI 51.A (BK)	FI 51.A (WH)	FI 51.A IX	FI 20 K.A IX	FI 20 K.A (BK)
Code		33891	33890	56750	56751	33902	42725	68940	68942	68941	65876	68279	68277	68276	65877	68676
Colour		Stainless Steel	Black	Stainless Steel	Stainless Steel	Stainless Steel	Stainless Steel	Black	Stainless Steel	White	Stainless Steel	Black	White	Stainless Steel	Stainless Steel	Black
Knob Colour		Black	Black	Chrome	Chrome	Chrome	Chrome	Black	Black	White	Black	Black	White	Black	Black	Black
Handle Colour		Black	Black	Stainless Steel	Stainless Steel	Stainless Steel	Stainless Steel	Black	Black	White	Black	Black	White	Black	Black	Black
Door type		Stainless Steel	Glass	Stainless Steel	Stainless Steel	Stainless Steel	Stainless Steel	Glass	Stainless Steel	Glass	Stainless Steel	Glass	Glass	Stainless Steel	Stainless Steel	Glass
Type of controls		Knob	Knob	Knob + Buttons	Knob + Buttons	Knob	Knob	Knob + Buttons	Knob + Buttons	Knob + Buttons	Knob	Knob	Knob	Knob	Knob	Knob
Vertical uprights		Black	Black	Stainless Steel	Stainless Steel	Stainless Steel	Stainless Steel	Black	Black	White	Black	Black	White	Black	Black	Black
Integrated hob controls																
Main cavity net capacity	(l)	58	58	56	56	56	56	56	56	56	56	56	56	56	60	60
Main Oven type		Gas	Gas	Multichef 7	Multichef 7	Multichef 6	Multichef 6	Multichef 5	Multichef 5	Multichef 5	Multichef 5	Multichef 5	Multichef 5	Multichef 5	Static	Static
Opening Door Typology-Main oven		Drop Down	Drop Down	Drop Down	Drop Down	Drop Down	Drop Down	Drop Down	Drop Down	Drop Down	Drop Down	Drop Down	Drop Down	Drop Down	Drop Down	Drop Down
Oven Functions		Grill, Traditional	Grill, Traditional	Static, Pizza, Grill, Ventilated Grill, Pastries, Multilevel and Quick cooking	Static, Pizza, Grill, Ventilated Grill, Pastries, Multilevel and Quick cooking	Static, Pizza, Grill, Ventilated Grill, Pastries, Multilevel	Static, Pizza, Grill, Ventilated Grill, Pastries, Multilevel	Top Heat Only, Gratin, Grill, Multilevel, Traditional	Top Heat Only, Gratin, Grill, Multilevel, Traditional	Top Heat Only, Gratin, Grill, Multilevel, Traditional	Top Heat Only, Gratin, Grill, Multilevel, Traditional	Top Heat Only, Gratin, Grill, Multilevel, Traditional	Top Heat Only, Gratin, Grill, Multilevel, Traditional	Top Heat Only, Gratin, Grill, Multilevel, Traditional	Bottom Heat Only, Top Heat Only, Grill, Traditional	Bottom Heat Only, Top Heat Only, Grill, Traditional
Grill		Electric	Electric	Electric	Electric	Electric	Electric	Electric	Electric	Electric	Electric	Electric	Electric	Electric	Electric	Electric
Cooking Programming		Minute Minder	Minute Minder	Digital Timer Easy to use	Digital Timer Easy to use	Minute Minder	Minute Minder	Digital Timer Easy to use	Digital Timer Easy to use	Digital Timer Easy to use	Minute Minder	Minute Minder	Minute Minder	Minute Minder		
Oven/grill ignition		•	•													
Cleaning		Manual	Manual	Manual	Catalytic Direct	Manual	Manual	Catalytic	Catalytic	Catalytic	Manual	Manual	Manual	Manual	Manual	Manual
Integrated Ventilation System		•	•	•	•	•	•	•	•	•	•	•	•	•	•	•
Thermostat		Electromechanical	Electromechanical	Electromechanical	Electromechanical	Electromechanical	Electromechanical	Electromechanical	Electromechanical	Electromechanical	Electromechanical	Electromechanical	Electromechanical	Electromechanical	Electromechanical	Electromechanical
Thermostat indicator				•	•	•	•	•	•	•	•	•	•	•	•	•
Oven On/Off indicator		•	•	Oven Light	Oven Light	Oven Light	Oven Light	Oven Light	Oven Light	Oven Light	Oven Light	Oven Light	Oven Light	Oven Light	Oven Light	Oven Light
Hob On/Off indicator																
Turnspit																
Main oven accessories		1 Grid, 1 Tray	1 Grid, 1 Tray	1 Grid, 1 Tray, 1 Deep Tray	1 Grid, 1 Tray Handle, 2 Trays	1 Grid, 1 Tray	1 Grid, 2 Trays	1 Grid, 1 Tray	1 Grid, 1 Tray	1 Grid, 1 Tray	1 Grid, 1 Tray	1 Grid, 1 Tray	1 Grid, 1 Tray	1 Grid, 1 Tray	1 Grid, 1 Tray	1 Grid, 1 Tray
Light position		1 On The Back	1 On The Back	1 On The Back	1 On The Back	1 On The Back	1 On The Back	1 On The Back	1 On The Back	1 On The Back	1 On The Back	1 On The Back	1 On The Back	1 On The Back	1 On The Back	1 On The Back
Energy class				A	A	A	A	A	A	A	A	A	A	A	A	A
Heating function to deter. efficiency class				Cakes	Cakes	Cakes	Cakes	Fan	Fan	Fan	Fan	Static	Static	Static	Static	Static
Energy consumption Natural convection	(kWh)			0.97	0.97	0.97	0.97	1.06	1.06	1.06	0.88	0.79	0.79	0.79	0.78	0.75
Energy consumption Forced air convection	(kWh)			0.79	0.79	0.79	0.79	0.98	0.98	0.98	0.79	0.83	0.83	0.83	0.83	0.83
Supply Voltage	(V)	220-230	220-230	220-230	220-240	220-230	240	220-230	220-230	220-230	220-230	220-230	220-230	220-230	220-230	220-230
Supply Frequency	(Hz)	50/60	50/60	50	50/60	50/60	50/60	50	50	50	50/60	50/60	50/60	50/60	50/60	50/60
Absorbed Power	(W)	2250	2250	2800	2800-3000	2800	3000	2250	2250	2250	2250	2250	2250	2250	2250	2250
Absorbed Current	(A)	9.78	9.78	12.1	12.1	12.1	12.5	9.78	9.78	9.78	9.78	9.78	9.78	9.78	9.78	9.78
Largest hob surface	(cm <sup>2</sup> )			1150	1151	1150	1151	1150	1150	1150	1150	1150	1150	1150	1150	1150
Gas power	(kW)	2.6	2.6													
Grill power	(Watt)	2250	2250	2250	2250	2250	2400	2250	2250	2250	2250	2250	2250	2250	2250	2250
Oven/Grill flame failure device		•	•													
Number of oven door glasses		2	2	3	3	3	3	2	2	2	2	2	2	2	2	2
Height	(cm)	59.5	59.5	59.5	59.5	59.5	59.5	59.5	59.5	59.5	59.5	59.5	59.5	59.5	59.5	59.5
Width	(cm)	59.5	59.5	59.5	59.5	59.5	59.5	59.5	59.5	59.5	59.5	59.5	59.5	59.5	59.5	59.5
Depth	(cm)	54.5	54.5	54.5	54.5	54.5	54.5	54.5	54.5	54.5	54.5	54.5	54.5	54.5	54.5	54.5

Indesit reserves itself to bring changes to the products technical without notice.

Description		FI 20.A IX	FI 20.A (BK)	FI 20.A (WH)	HI 50.A IX	HI 20.A IX
<b>Code</b>		68273	68275	68274	68269	36791
Colour		Stainless Steel	Black	White	Stainless Steel	Stainless Steel
Knob Colour		Black	Black	White	Black	Black
Handle Colour		Black	Black	White	Black	Black
Door type		Stainless Steel	Glass	Glass	Stainless Steel	Stainless Steel
Type of controls		Knob	Knob	Knob	Knob	Knob
Vertical uprights		Black	Black	White		Black
Integrated hob controls					Commutators	Commutators
Main cavity net capacity	(l)	60	60	60	56	60
Main Oven type		Static	Static	Static	Multichef 5	Static
Opening Door Typology-Main oven		Drop Down	Drop Down	Drop Down	Drop Down	Drop Down
Oven Functions		Bottom Heat Only, Top Heat Only, Grill, Traditional	Bottom Heat Only, Top Heat Only, Grill, Traditional	Bottom Heat Only, Top Heat Only, Grill, Traditional	Top Heat Only, Gratin, Grill, Multilevel, Traditional	Top Heat Only, Traditional
Grill		Electric	Electric	Electric	Electric	
Cooking Programming						
Oven/grill ignition						
Cleaning		Manual	Manual	Manual	Manual	Manual
Integrated Ventilation System						
Thermostat		Electromechanical	Electromechanical	Electromechanical	Electromechanical	Electromechanical
Thermostat indicator		•	•	•	•	
Oven On/Off indicator		Oven Light	Oven Light	Oven Light	Oven Light	Oven Light
Hob On/Off indicator					•	•
Turnspit						
Main oven accessories		1 Grid, 1 Tray	1 Grid, 1 Tray	1 Grid, 1 Tray	1 Grid, 1 Tray	1 Grid, 1 Tray
Light position		1 On The Back	1 On The Back	1 On The Back	1 On The Back	1 On The Back
Energy class		A	A	A	A	A
Heating function to deter. efficiency class		Static	Static	Static	Static	Static
Energy consumption Natural convection	(kWh)	0,75	0,75	0,75	0,83	0,79
Energy consumption Forced air convection	(kWh)					
Supply Voltage	(V)	220-230	220-230	220-230	230/400 3N	230/400 3N
Supply Frequency	(Hz)	50/60	50/60	50/60	50/60	50/60
Absorbed Power	(W)	2250	2250	2250	8450	8400
Absorbed Current	(A)	9.78	9.78	9.78	36.7	36.5
Largest hob surface	(cm <sup>2</sup> )	1150	1150	1150	1150	1150
Gas power	(kW)					
Grill power	(Watt)	2250	2250	2250	2250	2200
Oven/Grill flame failure device						
Number of oven door glasses		2	2	2	2	2
Height	(cm)	59.5	59.5	59.5	59.5	59.5
Width	(cm)	59.5	59.5	59.5	54.5	54.5
Depth	(cm)	54.5	54.5	54.5	57	57

Indesit reserves itself to bring changes to the products technical without notice.

Description		MWI 222 IX	MWI 212 IX	MWI 12 IX
<b>Code</b>		58163	58164	45723
Colour		Stainless Steel	Stainless Steel	Stainless Steel
Door Material		Glass	Glass	Glass
Door Opening		Side	Side	Side
Digital Clock		•		
Cavity Capacity	(l)	24	24	20
Cooking Types		Grill, Microwave, Microwave+Grill	Grill, Microwave, Microwave+Grill	Grill, Microwave, Microwave+Grill
Oven Functions		Warm Plate, Defrost	Warm Plate, Defrost	Roasted potatoes, Fast Heating, Defrost
Automatic Cooking Type		Sensor And Weight Control	Sensor And Weight Control	
End of Cooking Signal		•	•	•
Grill On/Off Indicator		•	•	
Oven Lighting		1 x 25 W	1 x 25 W	1 x 15 W
Turntable		•	•	•
No. Power Levels		6	6	5
Power Levels	(W)	150, 300, 450, 600, 850, 900	150, 300, 450, 600, 850, 900	150, 250, 450, 650, 800
Movable grill		•	•	
Accessories		Medium Round Grid	Medium Round Grid	Short Round Grid
Supply Voltage	(V)	220-240	220-240	230
Supply Frequency	(Hz)	50/60	50/60	50
Absorbed Power	(W)	2750	2750	1200
Absorbed Current	(A)	13	13	9.5
Output power	(W)	900	900	800
Plug Type		Shuko	Shuko	Shuko
Child safety		•	•	•
Automatic cool-down		•	•	•
Height	(cm)	37.1	37.1	39
Width	(cm)	59.5	59.5	59.5
Depth	(cm)	44	44	32.5

Indesit reserves itself to bring changes to the products technical without notice.

## New design and great spaces.

The new hob collection has been designed to satisfy functional and aesthetic needs. Characterized by simple and essential lines, the new hobs can be coordinated with all the other Indesit household appliances, and they can fit perfectly in any young and modern kitchen.

### 70 cm of width

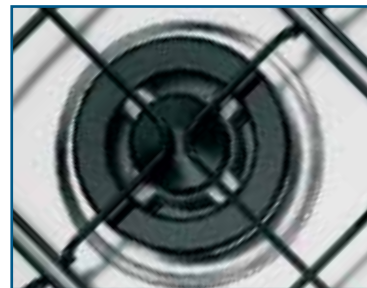
The greatest Indesit novelty is the 70 cm hob, that offers up to 10 cm more of cooking space. Everything in these hobs has been thought to make life easier and safer, such as the position of the burners, the gas security and the one hand electronic ignition. But the news is that they can be inserted in a standard 60 cm cut out, so that you can change the hob without having to modify the top of your kitchen.

### Grills

Indesit has renewed the design of the grills, to make them more secure and stable. Easy to remove to allow a quick cleaning of the hob, they are quick to wash, even in a dishwasher.

### Knobs

Knobs have been re-designed to guarantee a more ergonomic handling and to make the regulation of the flame easier. The new knobs, realized in a heat resistant material to offer a greater resistance to heat and to last in time, can be coordinated with ovens.



### Special Gas Burners

The models that enable faster cooking come with special burners (double crown or triple crown). Heat is uniformly distributed on a wider surface by two or three crowns. The availability of different crown types on the same gas hob ensures maximum flexibility and gives you the best solution that fits every kind of cooker.

### Electronic Ignition

An Electronic Ignition system enables some hob models to be used more easily. With the one-hand electronic ignition, it requires only one simple move.



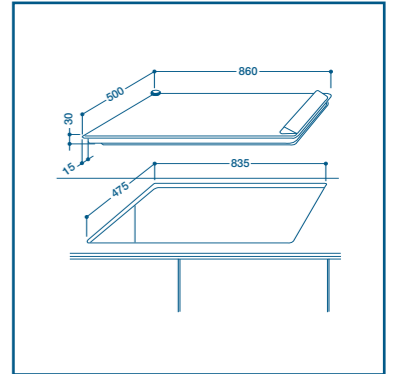
### Safe Flame

In all gas hobs, a special device cuts off gas leakage in case the flame is extinguished accidentally.



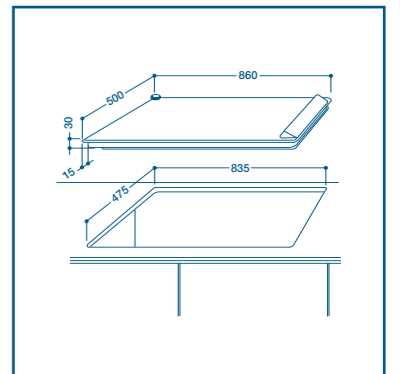
Model	Colour	Code
PI 950 AST (IX) EX	stainless steel	39675

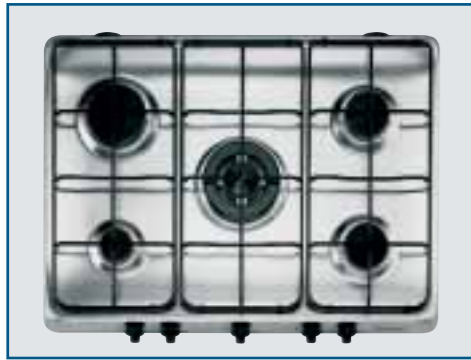
- 90 cm Gas Hob
- 5 gas burners
- 1 of which triple ring
- 2 hands Electronic Ignition
- Flame failure device
- Enamelled sheetmetal burner caps
- 3 enamelled pan supports



Model	Colour	Code
PI 930 AST (IX)	stainless steel	62315

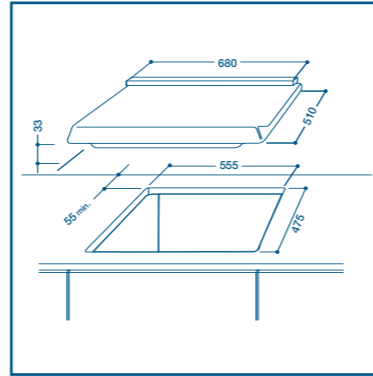
- 90 cm Gas Hob
- 3 gas burners
- 1 of which triple ring
- 2 hands Electronic Ignition
- Flame failure device
- Enamelled sheetmetal burner caps
- 2 enamelled pan supports





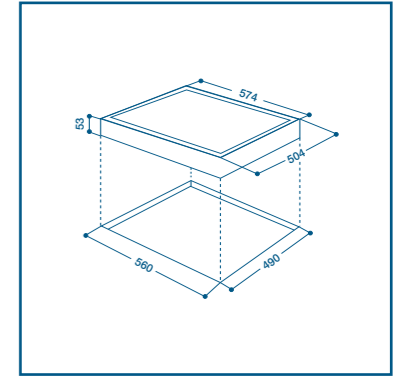
Model	Colour	Code
PI 750 AST (IX)	stainless steel	33887

- 70 cm Gas Hob
- 5 gas burners
- 1 of which triple ring
- 1 hand Electronic Ignition
- Flame failure device
- Enamelled sheetmetal burner caps
- 3 enamelled pan supports



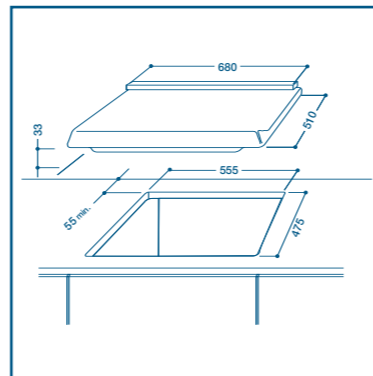
Model	Colour	Code
VIC 641 X	black	53024

- 60 cm Induction Hob
- 4 induction cooking areas
- 1 of which with booster
- Stainless steel frame
- Touch controls
- 9 power levels
- On/Off plate indicator
- Child safety



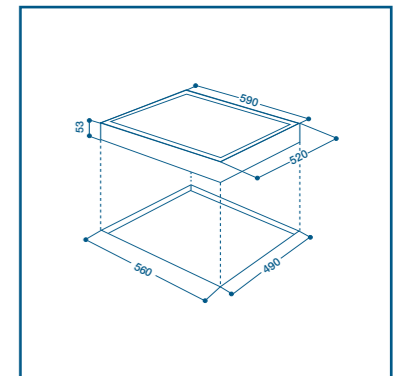
Model	Colour	Code
PI 750 AS (IX)	stainless steel	33886

- 70 cm Gas Hob
- 5 gas burners
- 1 hand Electronic Ignition
- Flame failure device
- Enamelled sheetmetal burner caps
- 3 enamelled pan supports



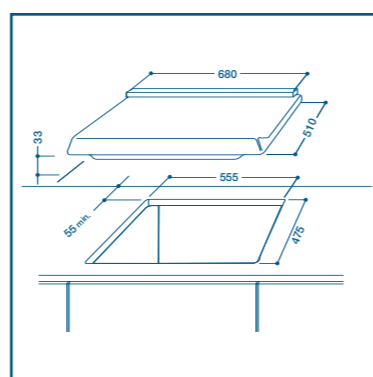
Model	Colour	Code
VIA 640 C	black	53019

- 60 cm Induction Hob
- 4 induction cooking areas
- Touch controls
- 9 power levels
- On/Off plate indicator
- Child safety



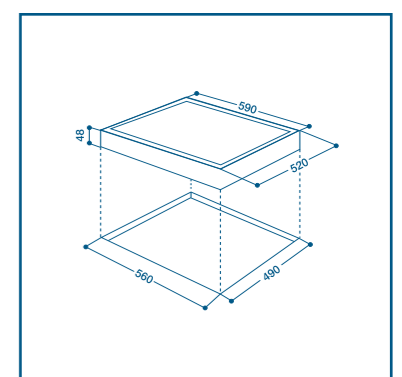
Model	Colour	Code
PI 740 AS (IX)	stainless steel	33884

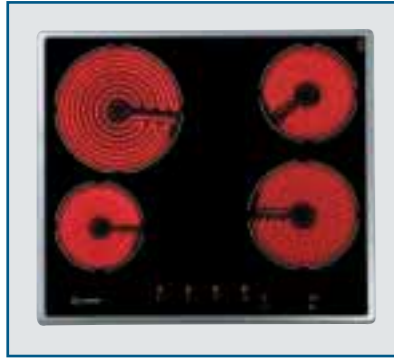
- 70 cm Gas Hob
- 4 gas burners
- 1 hand Electronic Ignition
- Flame failure device
- Enamelled sheetmetal burner caps
- 3 enamelled pan supports



Model	Colour	Code
VRO 641 D B	black	53069

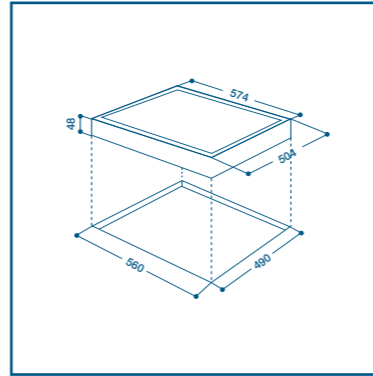
- 60 cm Radiant Hob
- 4 radiant cooking areas
- 1 of which double ring highlight
- Bevelled finishing
- Touch controls
- Comfort 9 power levels
- Residual heat indicators
- On/Off plate indicator
- Child safety





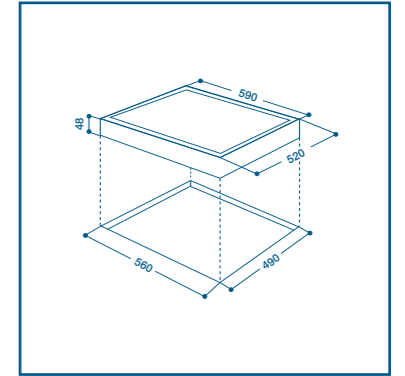
Model	Colour	Code
VRA 640 E X	black	53063

- 60 cm Radiant Hob
- 4 radiant cooking areas
- Stainless steel frame
- Touch controls
- 9 power levels
- Residual heat indicators
- On/Off plate indicator
- Child safety



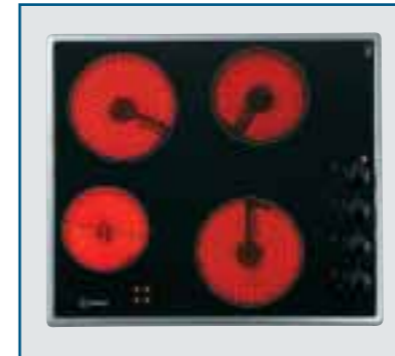
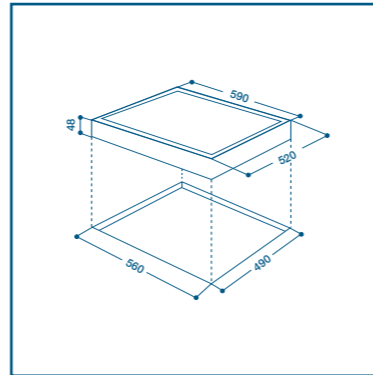
Model	Colour	Code
VRM 641 D C	black	53075

- 60 cm Radiant Hob
- 4 radiant cooking areas
- 1 of which double ring highlight
- Knob controls
- Residual heat indicators
- On/Off plate indicator



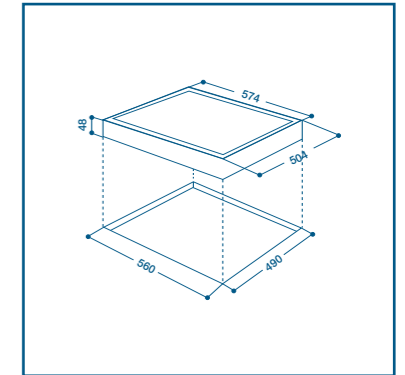
Model	Colour	Code
VRA 640 E C	black	53062

- 60 cm Radiant Hob
- 4 radiant cooking areas
- Touch controls
- 9 power levels
- Residual heat indicators
- On/Off plate indicator
- Child safety



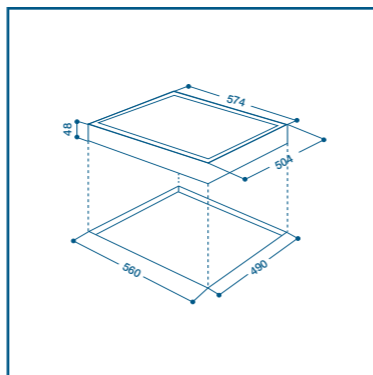
Model	Colour	Code
VRM 640 X	black	53074

- 60 cm Radiant Hob
- 4 radiant cooking areas
- Stainless steel frame
- Knob controls
- Residual heat indicators
- On/Off plate indicator



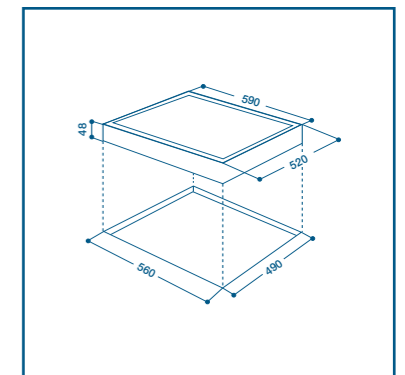
Model	Colour	Code
VRM 641 D X	black	53076

- 60 cm Radiant Hob
- 4 radiant cooking areas
- 1 of which double ring highlight
- Stainless steel frame
- Knob controls
- Residual heat indicators
- On/Off plate indicator



Model	Colour	Code
VRM 640 C	black	53073

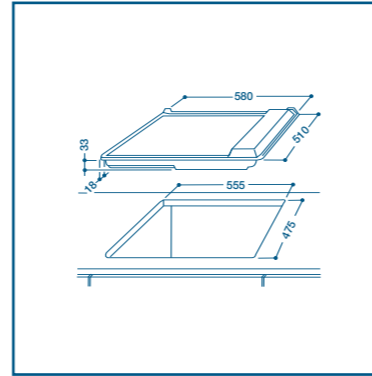
- 60 cm Radiant Hob
- 4 radiant cooking areas
- Knob controls
- Residual heat indicators
- On/Off plate indicator





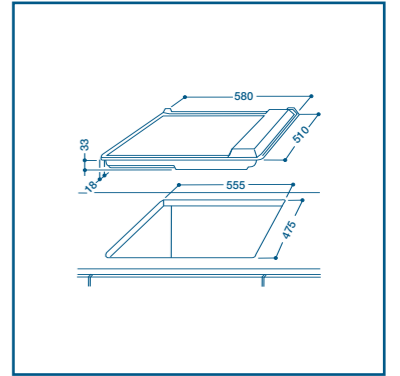
Model	Colour	Code
<b>PI 640 AST (IX)</b>	stainless steel	33882

- **60 cm Gas Hob**
- 4 gas burners
- 1 of which triple ring
- 2 hands Electronic Ignition
- Flame failure device
- Enamelled sheetmetal burner caps
- 2 enamelled pan supports



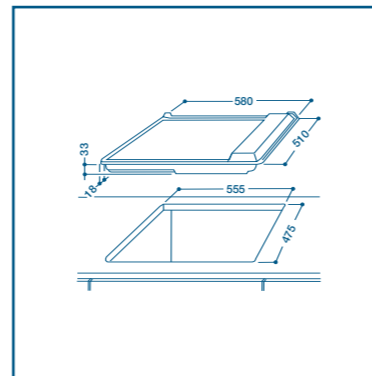
Model	Colour	Code
<b>PI 631 AS (IX)</b>	stainless steel	55528

- **60 cm Mixed Hob**
- 3 gas burners
- and 1 electric plate
- 2 hands Electronic Ignition
- Flame failure device
- Enamelled sheetmetal burner caps
- 2 enamelled pan supports
- On/Off plate indicator



Model	Colour	Code
<b>PI 640 AS (BK)</b>	black	36103

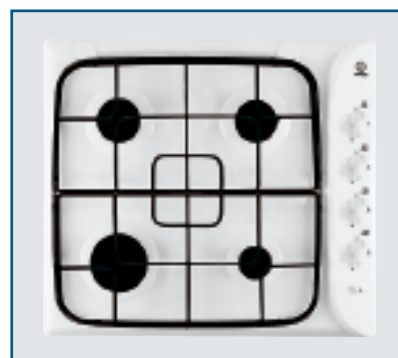
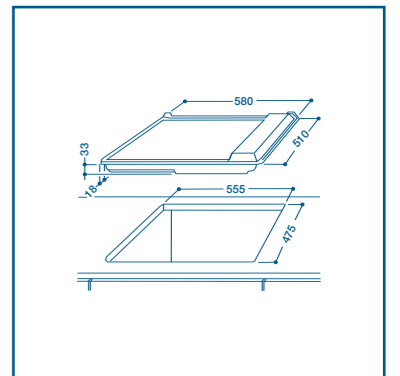
- **60 cm Gas Hob**
- 4 gas burners
- 2 hands Electronic Ignition
- Flame failure device
- Enamelled sheetmetal burner caps
- 2 enamelled pan supports



Model	Colour	Code
<b>PI 604 (IX)</b>	stainless steel	33864

- **60 cm Electric Hob**
- 4 electric plates
- Knob controls
- 6 positions
- On/Off plate indicator

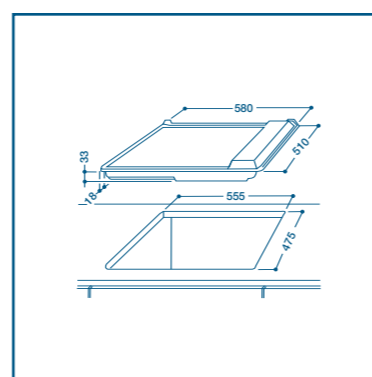
Also available  
**33865 - PI 604 (IX) GB**



Model	Colour	Code
<b>PI 640 AS (WH)</b>	white	33881

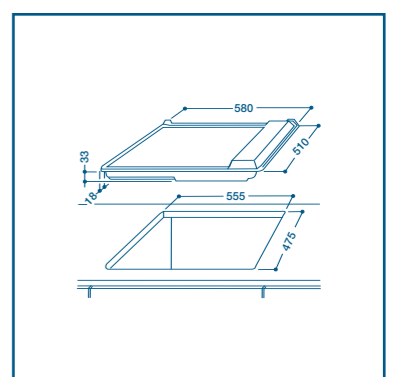
- **60 cm Gas Hob**
- 4 gas burners
- 2 hands Electronic Ignition
- Flame failure device
- Enamelled sheetmetal burner caps
- 2 enamelled pan supports

Also available  
In stainless steel  
**33879 - PI 640 AS (IX)**  
**33889 - PI 640 AS (IX) IR**



Model	Colour	Code
<b>PI 604 (WH) GB</b>	white	33866

- **60 cm Electric Hob**
- 4 electric plates
- Knob controls
- 6 positions
- On/Off plate indicator





Model	Colour	Code
<b>KE 042 (IX)</b>	stainless steel	28220

- 60 cm Electric Hob
- 4 electric plates

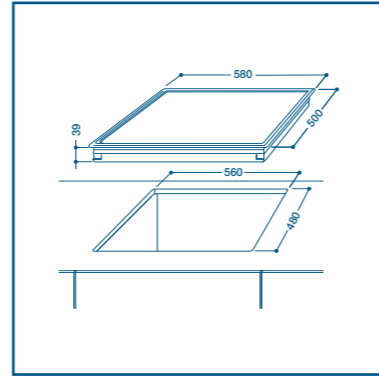
There is also the possibility of matching with the hob  
**68269 - HI 50.A IX** and hob  
**36791 - HI 20.A IX**



HI 50.A IX



HI 20.A IX



Model	Colour	Code
<b>C 9 (MR)</b>	mirror	24457

- 90 cm Hob cover



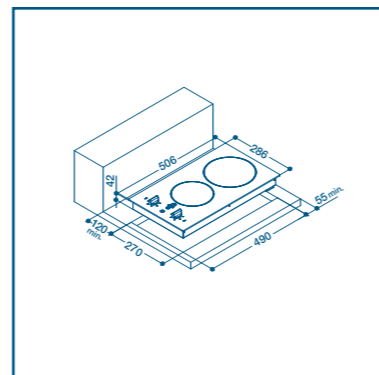
Model	Colour	Code
<b>C 7 (MR)</b>	mirror	33237

- 70 cm Hob cover



Model	Colour	Code
<b>MK 32</b>	black	54658

- 30 cm Radiant Hob
- 2 radiant cooking areas
- Knob controls
- 6 positions
- Residual heat indicator
- On/Off plate indicator



Model	Colour	Code
<b>C 6 (MR)</b>	mirror	24456

- 60 cm Hob cover

Description	Gas 90 cm		Gas 70 cm			Induction 60 cm		Radiant 60 cm						
	PI 950 AST (IX) EX	PI 930 AST (IX)	PI 750 AST (IX)	PI 750 AS (IX)	PI 740 AS (IX)	VIC 641 X	VIA 640 C	VRA 640 E C	VRA 640 E X	VRO 641 D B	VRM 640 X	VRM 640 C	VRM 641 D X	VRM 641 D C
<b>Code</b>	39675	62315	33887	33886	33884	53024	53019	53062	53063	53069	53074	53073	53076	53075
<b>Aesthetic</b>														
Surface material	Stainless Steel	Stainless Steel	Stainless Steel	Stainless Steel	Stainless Steel	Ceramic Glass	Ceramic Glass	Ceramic Glass	Ceramic Glass	Ceramic Glass	Ceramic Glass	Ceramic Glass	Ceramic Glass	Ceramic Glass
Surface colour	Stainless Steel	Stainless Steel	Stainless Steel	Stainless Steel	Stainless Steel	Black	Black	Black	Black	Black	Black	Black	Black	Black
Surface Finishing	Standard	Standard	Standard	Standard	Standard	With Frame	Standard	Standard	With Frame	Bevelled	With Frame	Standard	With Frame	Standard
Colour of frame/profiles						Stainless Steel			Stainless Steel		Stainless Steel		Stainless Steel	
Location Of Control Panel	Side	Side	Front	Front	Front	Front	Front	Front	Front	Front	Side	Side	Side	Side
Control type	Knob	Knob	Knob	Knob	Knob	Touch-Control	Touch-Control	Touch-Control	Touch-Control	Touch-Control	Knob	Knob	Knob	Knob
Knob colour	Black	Black	Black	Black	Black						Black	Black	Black	Black
Setting Type	Continue	Continue	Continue	Continue	Continue	9 power levels	9 power levels	9 power levels	9 power levels	Comfort 9 power levels	Continue	Continue	Continue	Continue
No. Pan Supports	3	2	3	3	3									
Pan Support Type	Enamelled Flat Wire	Enamelled Flat Wire	Enamelled Flat Wire	Enamelled Flat Wire	Enamelled Flat Wire									
Burner Cap	Enamelled Sheetmetal	Enamelled Sheetmetal	Enamelled Sheetmetal	Enamelled Sheetmetal	Enamelled Sheetmetal									
Type Of Lid	Optional	Optional	Optional	Optional	Optional									
No. Fixing Hooks	4	4	4	4	4	4	4	4	4	4	4	4	4	4
Total No. Cooking areas	5	3	5	5	4	4	4	4	4	4	4	4	4	4
No. Gas Burners	5	3	5	5	4									
No. Electric Plates														
No. Radiant areas								4	4	4	4	4	4	4
No. Induction areas						4	4							
Rear Left Area: Type / Power (W) / Dimensions	Semi-Fast / 1650 / 75mm		Fast / 2600 / 100mm	Fast / 2600 / 100mm		Induction / 1400 / Special Zone	Induction / 1400 / Special Zone	Hiight / 2300 / 210mm	Hiight / 2300 / 210mm	Double Ring Hiight / 2200-1000 / 210-140mm	Hiight / 1800 / 180mm	Hiight / 1800 / 180mm	Double Ring Hiight / 2200-1000 / 210-140mm	Double Ring Hiight / 2200-1000 / 210-140mm
Rear Middle Area: Type / Power (W) / Dimensions					Semi-Fast / 1900 / 75mm									
Rear Right Area: Type / Power (W) / Dimensions	Semi-Fast / 1650 / 75mm	Semi-Fast / 1650 / 75mm	Semi-Fast / 1900 / 75mm	Semi-Fast / 1900 / 75mm		Induction With Booster / 2200 - B 3000 / Special Zone	Induction / 2200 / Special Zone	Hiight / 1400 / 160mm	Hiight / 1400 / 160mm	Hiight / 1400 / 160mm	Hiight / 1400 / 160mm	Hiight / 1400 / 160mm	Hiight / 1400 / 160mm	Hiight / 1400 / 160mm
Middle Left Area: Type / Power (W) / Dimensions		Triple Ring / 3250 / 130mm			Fast / 3000 / 100mm									
Middle Middle Area: Type / Power (W) / Dimensions	Triple Ring / 3250 / 130mm		Triple Ring / 3600 / 130mm	Ultra Fast / 3400 / 100mm										
Middle Right Area: Type / Power (W) / Dimensions					Semi-Fast / 1900 / 75mm	Induction / 2200 / Special Zone	Induction / 2200 / Special Zone	Hiight / 1200 / 145mm	Hiight / 1200 / 145mm	Hiight / 1200 / 145mm	Hiight / 1200 / 145mm	Hiight / 1200 / 145mm	Hiight / 1200 / 145mm	Hiight / 1200 / 145mm
Front Left Area: Type / Power (W) / Dimensions	Fast 3000 100 mm		Auxiliary / 1000 / 55mm	Auxiliary / 1000 / 55mm										
Front Middle Area: Type / Power (W) / Dimensions					Auxiliary / 1000 / 55mm	Induction / 1400 (600) / Special Zone	Induction / 1400 / Special Zone	Hiight / 1800 / 180mm	Hiight / 1800 / 180mm	Hiight / 1800 / 180mm	Hiight / 1800 / 180mm	Hiight / 1800 / 180mm	Hiight / 1800 / 180mm	Hiight / 1800 / 180mm
Front Right Area: Type / Power (W) / Dimensions	Auxiliary / 1000 / 55mm	Auxiliary / 1000 / 55mm	Semi-Fast / 1900 / 75mm	Semi-Fast / 1900 / 75mm										
Electronic ignition	2 Hands	2 Hands	1 Hand	1 Hand	1 Hand			1 For Each Cooking Zone	1 For Each Cooking Zone	1 For Each Cooking Zone	1 For Each Cooking Zone	1 For Each Cooking Zone	1 For Each Cooking Zone	1 For Each Cooking Zone
Residual Heat Indicator						1 For Each Plate	1 For Each Plate	1 For Each Plate	1 For Each Plate	1 For Each Plate	1 For Each Plate	1 For Each Plate	1 For Each Plate	1 For Each Plate
Plate On/Off Indicator						4	4	4	4	4	4	4	4	4
Timer						•	•	•	•	•				
Main On/Off Switch														
<b>Technical features</b>														
Supply Voltage	220-240	220-230	220-240	220-240	220-240	220-230/380-400	220-230/380-400	220-230/380-400	220-230/380-400	220-230/380-400	220-230/380-400	220-230/380-400	220-230/380-400	220-230/380-400
Supply Frequency	50/60	50/60	50/60	50/60	50/60	50	50	50	50	50	50	50	50	50
Absorbed Power (W)						7200	7200	6700	6700	6600	6200	6200	6600	6600
Absorbed Current (A)						31.3	31.3	29.1	29.1	28.7	26.9	26.9	28.7	28.7
Gas Type	Gpl (Methane City)	Gpl (City)	Methane (Gpl)	Methane (Gpl)	Methane (Gpl-City)									
Gas Power (kW)	10.55	5.9	11	10.8	7.8									
Fuses	Mono 230 V - 6 A	Mono 230 V - 6 A	Mono 230 V - 6 A	Mono 230 V - 6 A	Mono 230 V - 6 A	Mono 230 V - 32 A	Mono 230 V - 32 A	Mono 230 V - 32 A	Mono 230 V - 32 A	Mono 230 V - 32 A	Mono 230 V - 32 A	Mono 230 V - 32 A	Mono 230 V - 32 A	Mono 230 V - 32 A
Electric wire type	3 x 0.75 mm <sup>2</sup>	3 x 0.75 mm <sup>2</sup>	3 x 0.75 mm <sup>2</sup>	3 x 0.75 mm <sup>2</sup>	3 x 0.75 mm <sup>2</sup>	6 x 1.5 mm <sup>2</sup>	6 x 1.5 mm <sup>2</sup>	6 x 1.5 mm <sup>2</sup>	6 x 1.5 mm <sup>2</sup>	6 x 1.5 mm <sup>2</sup>	6 x 1.5 mm <sup>2</sup>	6 x 1.5 mm <sup>2</sup>	6 x 1.5 mm <sup>2</sup>	6 x 1.5 mm <sup>2</sup>
<b>Safety</b>														
Flame Failure Device	•	•	•	•	•									
Cut - Off														
Child Safety						•	•	•	•	•				
<b>Dimensions</b>														
Height (cm)	3	3	3.3	3.3	3.3	5.3	5.3	4.8	4.8	4.8	4.8	4.8	4.8	4.8
Width (cm)	86	86	68	68	68	57.4	59	59	57.4	59	57.4	59	57.4	59
Depth (cm)	50	50	51	51	51	50.4	52	52	50.4	52	50.4	52	50.4	52

Indesit reserves itself to bring changes to the products technical without notice.

**COVER**

**24457-C 9 (MR)**  
Cover 90 cm for PI 9 hobs

**33237-C 7 (MR)**  
Cover 70 cm for PI 7 hobs

**24456-C 6 (MR)**  
Cover 60 cm for PI 6 hobs

Description	Gas 60 cm				Mixed 60 cm		Electric 60 cm		Radiant 30 cm		Electric 60 cm without controls
	PI 640 AST (IX)	PI 640 AS (BK)	PI 640 AS (WH)	PI 640 AS (IX)	PI 640 AS (IX) IR	PI 631 AS (IX)	PI 604 (IX)	PI 604 (IX) GB	PI 604 (WH) GB	MK 32	KE 042 (IX)
<b>Code</b>	33882	36103	33881	33879	33889	55528	33864	33865	33866	54658	28220
<b>Aesthetic</b>											
Surface material	Stainless Steel	Enamelled Sheetmetal	Enamelled Sheetmetal	Stainless Steel	Stainless Steel	Stainless Steel	Stainless Steel	Stainless Steel	Enamelled Sheetmetal	Ceramic Glass	Stainless Steel
Surface colour	Stainless Steel	Black	White	Stainless Steel	Stainless Steel	Stainless Steel	Stainless Steel	Stainless Steel	White	Black	Stainless Steel
Surface Finishing	Standard	Standard	Standard	Standard	Standard	Standard	Standard	Standard	Standard	Standard	Standard
Colour of frame/profiles											
Location Of Control Panel	Side	Side	Side	Side	Side	Side	Side	Side	Side	Front	External
Control type	Knob	Knob	Knob	Knob	Knob	Knob	Knob	Knob	Knob	Knob	Without Controls
Knob colour	Black	Black	White	Black	Black	Black	Black	Black	White	Black	
Setting Type	Continue	Continue	Continue	Continue	Continue	Continue	6 Positions	6 Positions	6 Positions	6 Positions	
No. Pan Supports	2	2	2	2	2	2					
Pan Support Type	Enamelled Flat Wire	Enamelled Flat Wire	Enamelled Flat Wire	Enamelled Flat Wire	Enamelled Flat Wire	Enamelled Flat Wire	Enamelled Flat Wire				
Burner Cap	Enamelled Sheetmetal	Enamelled Sheetmetal	Enamelled Sheetmetal	Enamelled Sheetmetal	Enamelled Sheetmetal	Enamelled Sheetmetal	Enamelled Sheetmetal				
Type Of Lid	Optional	Optional	Optional	Optional	Optional	Optional					
No. Fixing Hooks	4	4	4	4	4	4	4	4	4	4	4
Total No. Cooking areas	4	4	4	4	4	4	4	4	4	2	4
No. Gas Burners	4	4	4	4	4	4	3				
No. Electric Plates						1	4	4	4		4
No. Radiant areas										2	
No. Induction areas											
Rear Left Area: Type / Power (W) / Dimensions	Semi-Fast / 1900 / 75mm	Semi-Fast / 1900 / 75mm	Semi-Fast / 1900 / 75mm	Semi-Fast / 1900 / 75mm	Semi-Fast / 1900 / 75mm	Semi-Fast / 1900 / 75mm	Fast Electric Plate / 1500 / 145mm	Fast Electric Plate / 1500 / 145mm	Fast Electric Plate / 1500 / 145mm		Standard Electric Plate / 1000 / 145mm
Rear Middle Area: Type / Power (W) / Dimensions										Radiant / 1700 / 180mm	
Rear Right Area: Type / Power (W) / Dimensions	Semi-Fast / 1900 / 75mm	Semi-Fast / 1900 / 75mm	Semi-Fast / 1900 / 75mm	Semi-Fast / 1900 / 75mm	Semi-Fast / 1900 / 75mm	Semi-Fast / 1900 / 75mm	Fast Electric Plate / 1500 / 145mm	Fast Electric Plate / 2000 / 180mm	Fast Electric Plate / 2000 / 180mm	Fast Electric Plate / 2000 / 180mm	Fast Electric Plate / 2000 / 180mm
Middle Left Area: Type / Power (W) / Dimensions											
Middle Middle Area: Type / Power (W) / Dimensions											
Middle Right Area: Type / Power (W) / Dimensions	Triple Ring / 3250 / 130mm	Fast / 3000 / 100mm							Fast Electric Plate / 2000 / 180mm		
Front Left Area: Type / Power (W) / Dimensions			Fast / 3000 / 100mm	Fast / 3000 / 100mm	Fast / 3000 / 100mm	Fast / 3000 / 100mm	Fast / 3000 / 100mm	Fast Electric Plate / 2000 / 180mm	Fast Electric Plate / 2000 / 180mm	Radiant / 1200 / 145mm	Fast Electric Plate / 2000 / 180mm
Front Middle Area: Type / Power (W) / Dimensions	Auxiliary / 1000 / 55mm	Auxiliary / 1000 / 55mm								Fast Electric Plate / 1500 / 145mm	
Front Right Area: Type / Power (W) / Dimensions			Auxiliary / 1000 / 55mm	Auxiliary / 1000 / 55mm	Auxiliary / 1000 / 55mm	Auxiliary / 1000 / 55mm	Auxiliary / 1000 / 55mm	Fast Electric Plate / 1500 / 145mm	Fast Electric Plate / 1500 / 145mm		Standard Electric Plate / 1000 / 145mm
Electronic Ignition	2 Hands	2 Hands	2 Hands	2 Hands	2 Hands	2 Hands	2 Hands				
Residual Heat Indicator										1	
Plate On/Off Indicator							1	1	1	1	1 For Each Plate
Timer											
Main On/Off Switch											
<b>Technical features</b>											
Supply Voltage (V)	220-240	220-240	220-240	220-240	220-240	220-240	220-230	230/400 3N	240	240	230
Supply Frequency (Hz)	50/60	50/60	50/60	50/60	50/60	50/60	50/60	50/60	50/60	50/60	50/60
Absorbed Power (W)							1500	7000	7000	7000	2900
Absorbed Current (A)							6.5	30.4	29.1	29.1	12.6
Gas Type	Methane (Gpl-City)	Methane (Gpl)	Methane (Gpl-City)	Methane (Gpl-City)	Methane (Gpl-City)	Gpl (Methane City)	Methane (Gpl)				
Gas Power (kW)	8.05	7.8	7.8	7.8	7.8	7.8	5.9				
Fuses	Mono 230 V - 6 A	Mono 230 V - 6 A	Mono 230 V - 6 A	Mono 230 V - 6 A	Mono 230 V - 6 A	Mono 230 V - 6 A	Mono 230 V - 10 A	Mono 230 V - 32 A	Mono 230 V - 32 A	Mono 230 V - 32 A	Mono 230 V - 16 A
Electric wire type	3 x 0.75 mm <sup>2</sup>	3 x 0.75 mm <sup>2</sup>	3 x 0.75 mm <sup>2</sup>	3 x 0.75 mm <sup>2</sup>	3 x 0.75 mm <sup>2</sup>	3 x 0.75 mm <sup>2</sup>	3 x 1 mm <sup>2</sup>	Without Cable	Without Cable	Without Cable	Without Cable
<b>Safety</b>											
Flame Failure Device	•	•	•	•	•	•	•				
Cut - Off											
Child Safety											
<b>Dimensions</b>											
Height (cm)	3.3	3.3	3.3	3.3	3.3	3.3	3.3	3.3	3.3	4.2	3.9
Width (cm)	58	58	58	58	58	58	58	58	58	28.6	58
Depth (cm)	51	51	51	51	51	51	51	51	51	50.6	50

Indesit reserves itself to bring changes to the products technical without notice.

## Odourless kitchen.

Hoods have an important function in a kitchen, they remove bad and greasy smells, but are also part of the home décor. Indesit offers a variety of models to suit different décor styles.

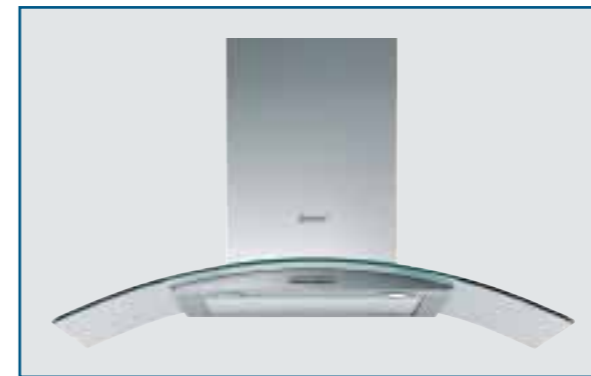


### Lighting

New incandescent low energy consumption lamps and sophisticated halogen spotlights light the hob in the best way, creating a pleasant and warm atmosphere.

### Metallic filters

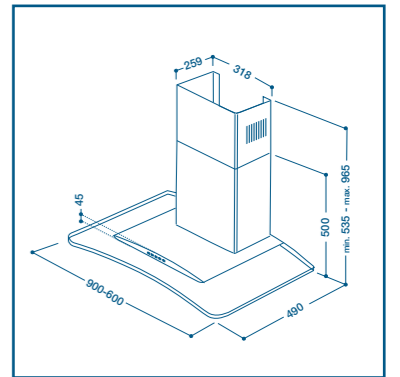
Metallic inox filters are a real innovation in increasing effectiveness and saving time: they are easy to fix, washable in the dish washer. The filter helps to maintain the cleanliness of the hoods, keeping the greasy particles out.



Model	Colour	Code
H 991 IX	stainless steel	57446

- 90 cm hood
- Extraction capacity: 400 m<sup>3</sup>/h
- 3 speeds
- Mechanical controls
- 1 self supporting metallic filter
- 2 halogen lamps x 20 W

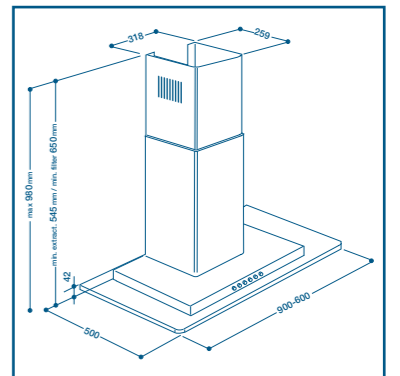
Also available  
60 cm 57447 - H 961 IX



Model	Colour	Code
H 892 IX	stainless steel	65063

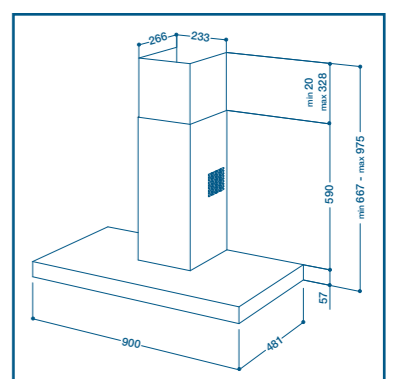
- 90 cm hood
- Extraction capacity: 650 m<sup>3</sup>/h
- 3 speeds
- Mechanical controls
- 1 modular metallic filter
- 2 lamps x 40 W

Also available  
60 cm 65062 - H 862 IX



Model	Colour	Code
H 791 IX	stainless steel	45908

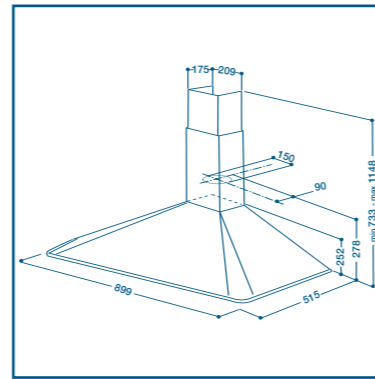
- 90 cm hood
- Extraction capacity: 420 m<sup>3</sup>/h
- 3 speeds
- Electromechanical controls
- 1 metallic filter
- 2 lamps x 40 W





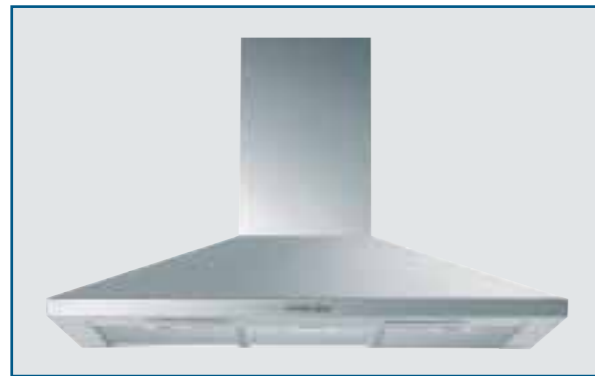
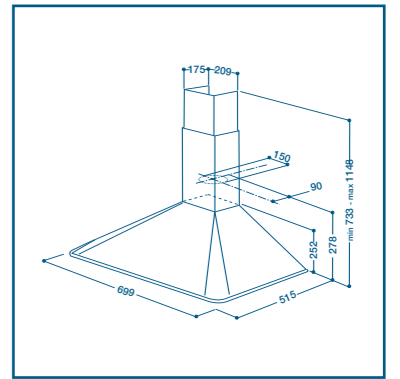
Model	Colour	Code
<b>H 593 IX</b>	stainless steel	62127

- **90 cm hood**
- Extraction capacity: 450 m<sup>3</sup>/h
- 3 speeds
- Electronic controls
- 3 self supporting filters
- 2 lamps x 40 W



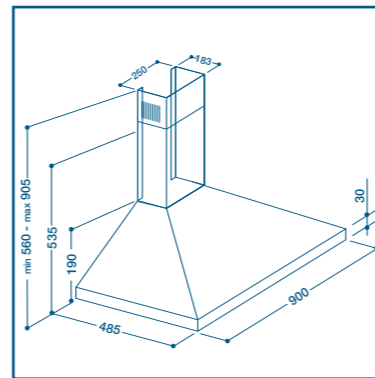
Model	Colour	Code
<b>H 573 IX</b>	stainless steel	62130

- **70 cm hood**
- Extraction capacity: 450 m<sup>3</sup>/h
- 3 speeds
- Electronic controls
- 2 self supporting filters
- 2 lamps x 40 W



Model	Colour	Code
<b>H 391 F P IX</b>	stainless steel	64986

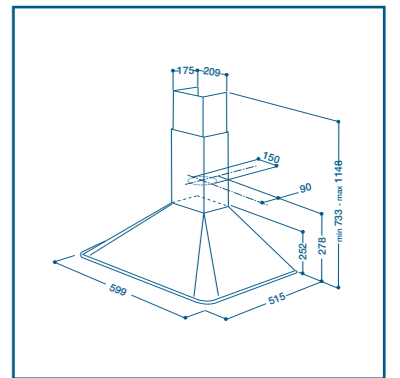
- **90 cm hood**
- Extraction capacity: 650 m<sup>3</sup>/h
- 3 speeds
- Mechanical controls
- 2 modular metallic filters
- 2 lamps x 40 W



Model	Colour	Code
<b>H 563 IX</b>	stainless steel	62132

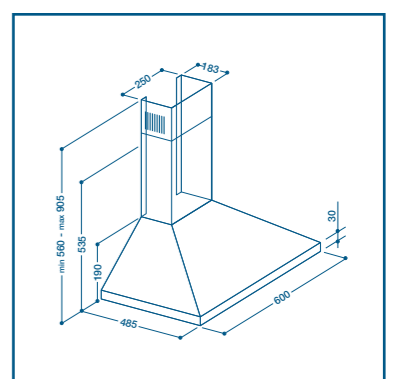
- **60 cm hood**
- Extraction capacity: 450 m<sup>3</sup>/h
- 3 speeds
- Electronic controls
- 2 self supporting filters
- 2 lamps x 40 W

Also available  
in white **62135 - H 563 (WH)**  
in black **62136 - H 563 (BK)**



Model	Colour	Code
<b>H 361 F P IX</b>	stainless steel	64985

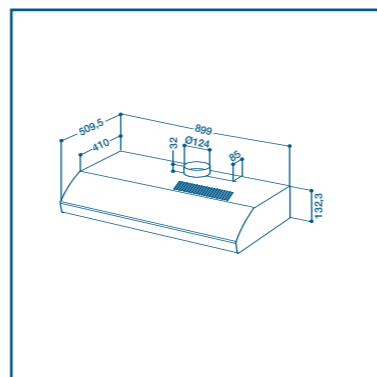
- **60 cm hood**
- Extraction capacity: 650 m<sup>3</sup>/h
- 3 speeds
- Mechanical controls
- 2 modular metallic filters
- 2 lamps x 40 W





Model	Colour	Code
<b>H 191.2 IX</b>	stainless steel	57787

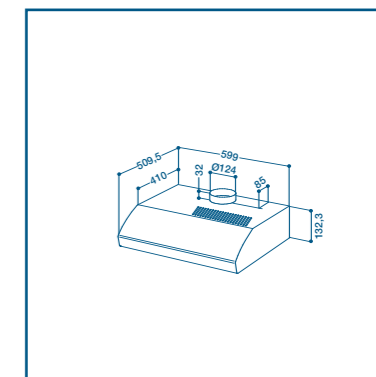
- **90 cm hood**
- Extraction capacity: 250 m<sup>3</sup>/h
- 3 speeds
- Mechanical controls
- 1 synthetic filter
- 2 lamps x 40 W



Model	Colour	Code
<b>H 161.2 IX</b>	stainless steel	57778

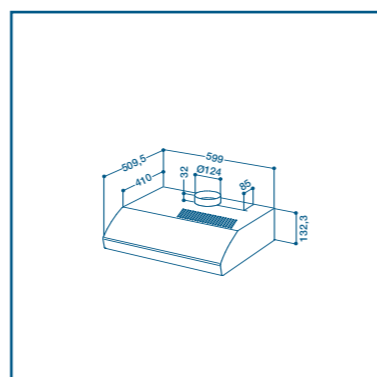
- **60 cm hood**
- Extraction capacity: 250 m<sup>3</sup>/h
- 3 speeds
- Mechanical controls
- 1 synthetic filter
- 2 lamps x 40 W

Also available  
in black **57780 - H 161.2 (BK)**  
in white **57779 - H 161.2 (WH)**



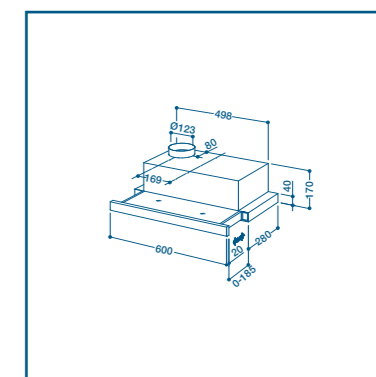
Model	Colour	Code
<b>H 161.2 M (WH)</b>	white	57782

- **60 cm hood**
- Extraction capacity: 250 m<sup>3</sup>/h
- 3 speeds
- Mechanical controls
- 1 aluminium extractable filter
- 2 lamps x 40 W



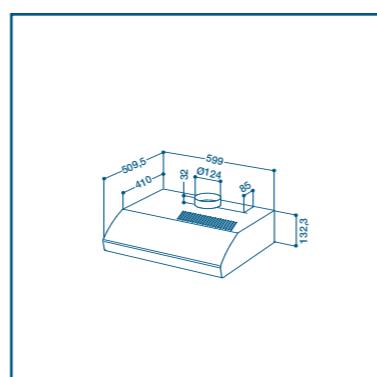
Model	Colour	Code
<b>H 461 IX</b>	stainless steel	56474

- **60 cm hood**
- Extraction capacity: 330 m<sup>3</sup>/h
- 3 speeds
- Mechanical controls
- 1 aluminium selfsupporting filter
- 2 lamps x 40 W



Model	Colour	Code
<b>H 161.2 M IX</b>	stainless steel	57783

- **60 cm hood**
- Extraction capacity: 250 m<sup>3</sup>/h
- 3 speeds
- Mechanical controls
- 1 aluminium extractable filter
- 2 lamps x 40 W



Description	H 991 IX	H 961 IX	H 892 IX	H 862 IX	H 791 IX	H 593 IX	H 573 IX	H 563 IX	H 563 (WH)	H 563 (BK)	H 391 F P IX	H 361 F P IX	H 191.2 IX	H 161.2 M (WH)	H 161.2 M IX
<b>Code</b>	57446	57447	65063	65062	45908	62127	62130	62132	62135	62136	64986	64985	57787	57782	57783
Colour	Stainless Steel	Stainless Steel	Stainless Steel	Stainless Steel	Stainless Steel	Stainless Steel	Stainless Steel	Stainless Steel	White	Black	Stainless Steel	Stainless Steel	Stainless Steel	White	Stainless Steel
Hood Material	Stainless Steel+Glass	Stainless Steel+Glass	Stainless Steel+Glass	Aluminium+Glass	Stainless Steel	Stainless Steel	Stainless Steel	Stainless Steel	Steel	Steel	Stainless Steel	Stainless Steel	Stainless Steel	Steel	Stainless Steel
Type of control	Mechanical	Mechanical	Mechanical	Mechanical	Electromechanical	Electronic	Electronic	Electronic	Electronic	Electronic	Mechanical	Mechanical	Mechanical	Mechanical	Mechanical
Type of control device	Buttons	Buttons	Buttons	Buttons	Buttons	Buttons	Buttons	Buttons	Buttons	Buttons	Buttons	Buttons	Buttons	Slider	Slider
No. filters	1	1	1	1	1	3	2	2	2	2	2	1	1	1	1
Filter Type	Self-Supporting Metallic	Self-Supporting Metallic	Modular Metallic	Modular Metallic	Metallic	Aluminium Selfsupporting	Aluminium Selfsupporting	Aluminium Selfsupporting	Aluminium Selfsupporting	Aluminium Selfsupporting	Modular Metallic	Modular Metallic	Synthetic	Aluminium Extractable	Aluminium Extractable
Filter Washable in Dishwasher	•	•	•	•	•	•	•	•	•	•	•	•	•	•	•
Speed	3	3	3	3	3	3	3	3	3	3	3	3	3	3	3
Lights	2 Halogen x 20 Watt	2 Halogen x 20 Watt	2 Std x 40 Watt	2 Std x 40 Watt	2 Std x 40 Watt	2 Std x 40 Watt	2 Std x 40 Watt	2 Std x 40 Watt	2 Std x 40 Watt	2 Std x 40 Watt	2 Std x 40 Watt	2 Std x 40 Watt	2 Std x 40 Watt	2 Std x 40 Watt	2 Std x 40 Watt
Light adjustment	On/Off	On/Off	On/Off	On/Off	On/Off	On/Off	On/Off	On/Off	On/Off	On/Off	On/Off	On/Off	On/Off	On/Off	On/Off
Supply Voltage	(V) 220-240	220-240	220-240	220-240	220-240	220-240	220-240	220-240	220-240	220-240	220-240	220-240	220-240	220-240	220-240
Supply Frequency	(Hz) 50/60	50/60	50/60	50/60	50/60	50/60	50/60	50/60	50/60	50/60	50/60	50/60	50/60	50/60	50/60
Absorbed Power	(W) 190	190	135	135	215	200	200	200	200	200	210	210	200	200	200
Output Air Extraction	(m <sup>3</sup> /h) 400	400	650	650	420	450	450	450	450	450	650	650	250	250	250
IEC extraction	(m <sup>3</sup> /h) 360	360	550	550	385	420	420	420	420	420	550	550	230	230	230
Diameter of Air Outlet	(mm) 150	150	150	150	150	120-150	120-150	120-150	120-150	120-150	150	150	120	120	120
Sound Level minimum speed	47	47	47	47	47	45	45	45	45	45	47	47	49	49	49
Sound Level maximum speed	(dB(A)) 61	61	61	61	63	57	57	57	57	57	61	61	60	60	60
Height	(cm) 53.5-96.5	53.5-96.5	98	98	66.7-97.5	73.3-114.8	73.3-114.8	73.3-114.8	73.3-114.8	73.3-114.8	56-90.5	56-90.5	13.23	13.23	13.23
Width	(cm) 90	60	90	60	90	89.9	69.9	59.9	59.9	59.9	90	60	89.9	59.9	59.9
Depth	(cm) 49	49	50	50	48.1	51.5	51.5	51.5	51.5	51.5	48.5	48.5	50.95	50.95	50.95

Description	H 161.2 (BK)	H 161.2 IX	H 161.2 (WH)	H 461 IX
<b>Code</b>	57780	57778	57779	56474
Colour	Black	Stainless Steel	White	Stainless Steel
Hood Material	Steel	Stainless Steel	Steel	Stainless Steel
Type of control	Mechanical	Mechanical	Mechanical	Mechanical
Type of control device	Slider	Slider	Slider	Slider
No. filters	1	1	1	1
Filter Type	Synthetic	Synthetic	Synthetic	Aluminium Selfsupporting
Filter Washable in Dishwasher	•	•	•	•
Speed	3	3	3	3
Lights	2 Std x 40 Watt	2 Std x 40 Watt	2 Std x 40 Watt	2 Std x 40 Watt
Light adjustment	On/Off	On/Off	On/Off	On/Off
Supply Voltage	(V) 220-240	220-240	220-240	220-240
Supply Frequency	(Hz) 50/60	50/60	50/60, 60	50/60
Absorbed Power	(W) 200	200	200	200
Output Air Extraction	(m <sup>3</sup> /h) 250	250	250	330
IEC extraction	(m <sup>3</sup> /h) 230	230	230	290
Diameter of Air Outlet	(mm) 125	125	125	120
Sound Level minimum speed	49	49	49	53
Sound Level maximum speed	(dB(A)) 60	60	60	64
Height	(cm) 13.23	13.23	13.23	17
Width	(cm) 59.9	59.9	59.9	60
Depth	(cm) 50.95	50.95	50.95	28

Indesit reserves itself to bring changes to the products technical without notice.